



GMOS Series

OIL-FIRED
CAST IRON
STEAM BOILER

MODELS

GMOS-3090
GMOS-3090T
GMOS-4125
GMOS-4125T
GMOS-5185
GMOS-5185T
GMOS-6210
GMOS-6210T

PARTS AND OPTIONAL ACCESSORIES

Ordering Instructions

Order Parts through your nearest supplier.

When ordering parts, obtain Model Number and Serial Number from data plate on your boiler.

Include following information when ordering.

Part Number _____

Part Description _____

Boiler Model Number _____

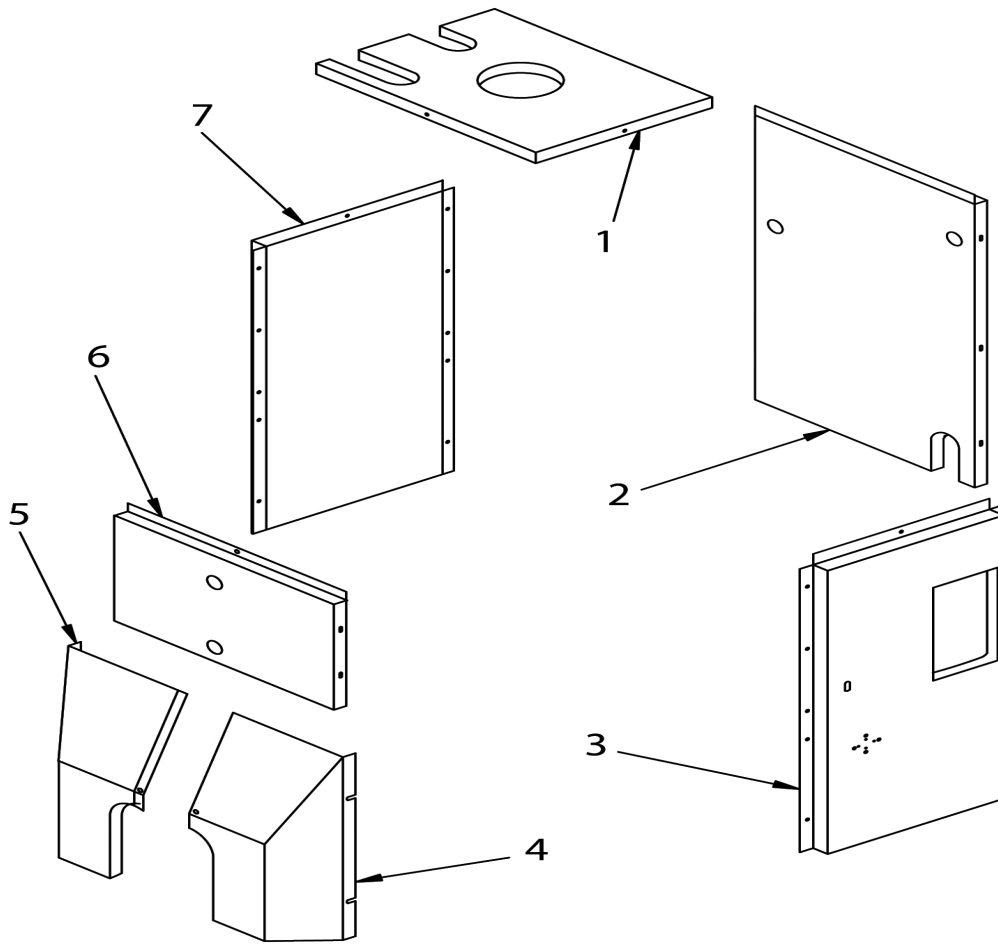
Boiler Serial Number _____



Manufactured by:
ECR International Inc.
2201 Dwyer Avenue, Utica, NY 13501
Tel. 800 253 7900
www.ecrinternational.com
PN 240012426 REV. A [09/10/2018]

REPLACEMENT PARTS

JACKETS

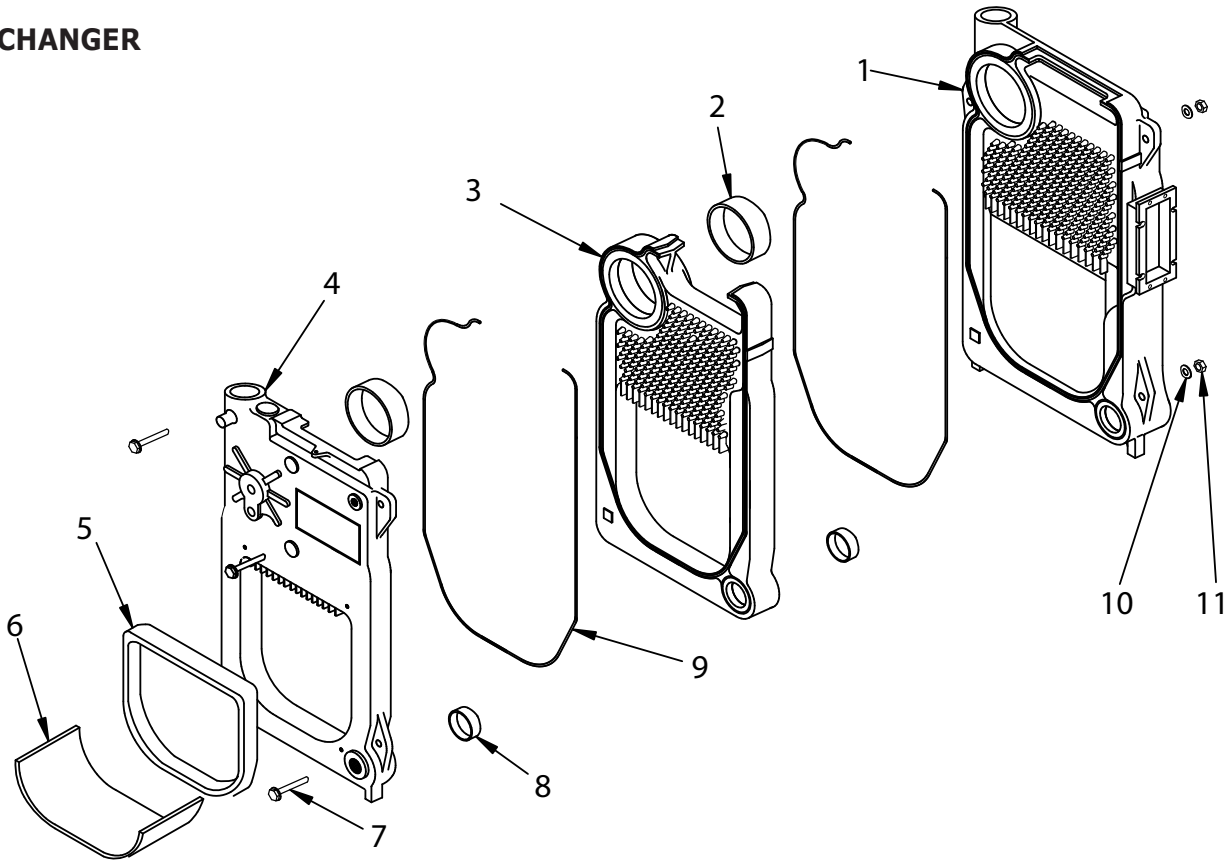


ITEM	DESCRIPTION	MODEL
		GMOS
		PART #
1	Top Panel - 3 Sec.	21522808
	Top Panel - 4 Sec.	21522809
	Top Panel - 5 Sec.	21522810
	Top Panel - 6 Sec.	21522811
2	Rear Panel	21525202
3	Right Side Panel - 3 Sec.	21523101
	Right Side Panel - 4 Sec.	21523102
	Right Side Panel - 5 Sec.	21523103
	Right Side Panel - 6 Sec.	21523104
4	Lower Cowl - Right	21524402
5	Lower Cowl - Left	21524302
6	Top Front Panel	21524102
7	Left Side Panel - 3 Sec.	21521803
	Left Side Panel - 4 Sec.	21521804
	Left Side Panel - 5 Sec.	21521805
	Left Side Panel - 6 Sec.	21521806
Not Shown	*Jacket Replacement Kit - 3 Sec.	3001487AD
	*Jacket Replacement Kit - 4 Sec.	3001488AD
	*Jacket Replacement Kit - 5 Sec.	3001489AD
	*Jacket Replacement Kit - 6 Sec.	3001489AD

* Items 4 and 5 must be ordered to receive full jacket set

REPLACEMENT PARTS

HEAT EXCHANGER



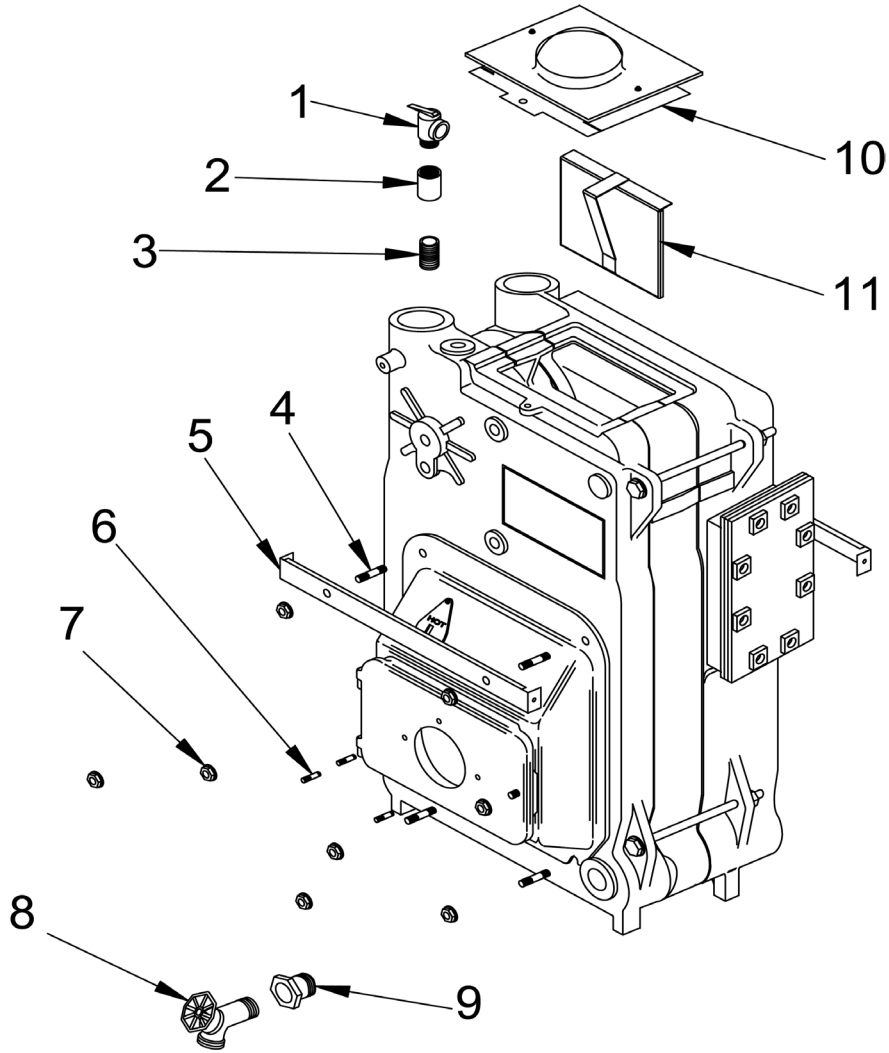
ITEM	PART NO.	DESCRIPTION	QTY
1	902000018	Rear Section	1
2	100-1-8.01	#60 Push Nipple - 3 Sec.	2
		#60 Push Nipple - 4 Sec.	3
		#60 Push Nipple - 5 Sec.	4
		#60 Push Nipple - 6 Sec.	5
3	902000009	Center Section - 3 Sec.	1
		Center Section - 4 Sec.	2
		Center Section - 5 Sec.	3
		Center Section - 6 Sec.	4
4	902000014	Front Section Castover	1
5611508		Kit - Target Wall & Insulation Blanket	
Kit Includes #5 and #6 (cut as needed per chart)			
5	2552701	Target Wall - Pyrolite	1
6	25511005	Insul Blanket 16x24	1
7	HW-025.05	Tie Rod 1/2 x 9 - 3 Sec.	3
	HW-025.01	Tie Rod 1/2 x 12 1/2 - 4 Sec.	
	HW-025.02	Tie Rod 1/2 x 16 1/2 - 5 Sec.	
	HW-025.03	Tie Rod 1/2 x 20 1/2 - 6 Sec.	
8	100-1-5.01	#22 Push Nipple - 3 Sec.	2
		#22 Push Nipple - 4 Sec.	3
		#22 Push Nipple - 5 Sec.	4
		#22 Push Nipple - 6 Sec.	5
9	3002172	Rope, Med. Density - 3 Sec.	2
		Rope, Med. Density - 4 Sec.	3
		Rope, Med. Density - 5 Sec.	4
		Rope, Med. Density - 6 Sec.	5
10	HW-008.03	Washer 1/2 ID Flat	3
11	HW-003.05	Nut 1/2 -13 Hex Head	3

INSULATION BLANKET SIZING		
FITS	PART NO.	SIZE
3 Sec	25511001	6-1/4 x 24
4 Sec	25511002	8-1/2 x 16
5 Sec	2551803	13 x 16
6 Sec	25511005	24 x 16

FULLY ASSEMBLED HEAT EXCHANGERS	
550003466	3 Section Without Coil
550003467	4 Section Without Coil
550003468	5 Section Without Coil
550003469	6 Section Without Coil
550003470	3 Section With Tankless Coil
550003471	4 Section With Tankless Coil
550003472	5 Section With Tankless Coil
550003473	6 Section With Tankless Coil

REPLACEMENT PARTS

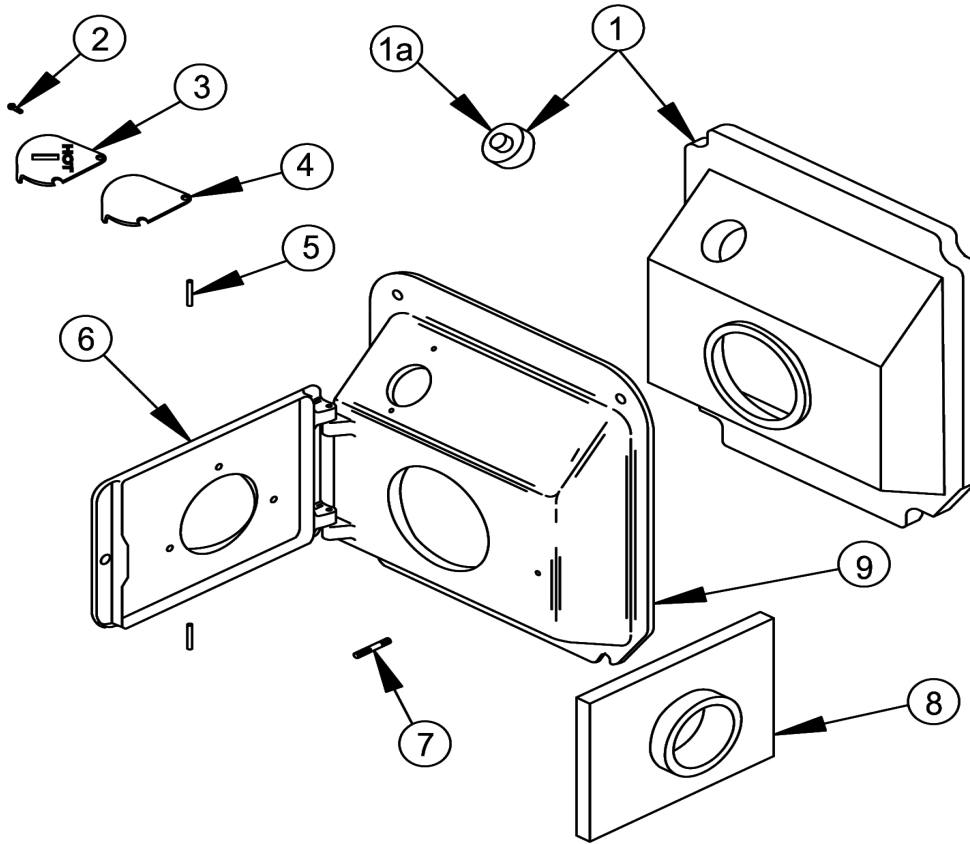
HARDWARE



ITEM	PART NO.	DESCRIPTION	QTY
1	1570001	Safety Valve #15 ¾"	1
2	1150001	Pipe Fit Coupling ¾"	1
3	1310004	Pipe Fit Npl ¾ Close	1
4	HW06701	Stud 5/16" - 18 x 2 3/8"	4
5	2252501	Support - Jacket Brkt	2
6	HW07001	Stud 5/16" x 18 x 1 3/8"	3
7	1330001	Nut 5/16" - 18 Wislock	8
8	240009323	Drain Valve	1
9	1060003	Pipe Fit Bushing 1 ¼ x ¾"	1
10	2452906	Flue Collector - 3 Sec.	1
	2452902	Flue Collector - 4 Sec.	
	2452903	Flue Collector - 5 Sec.	
	2452907	Flue Collector - 6 Sec.	
11	109007327	Baffle, Assy, H/E, Rear	1

REPLACEMENT PARTS

SWING DOOR AND MOUNTING DOOR COMPONENTS



ITEM	PART NO.	DESCRIPTION	QTY
1	2552901	Mounting Door Insulation & Plug	1
1a	2551901	Door Plug Replacement	1
2	HW-005.01	Screw ¼ - 20 x ½ Self-Tapping	2
3	10011701	Observation Door	1
4	25511101	Obs. Door Gasket	1
5	HW06801	¼ x 1¾ Drive Lock Pin	2
6	10011501	Swing Door	1
7	HW06701	5/16 x 18 x 2 3/8 Stud	1
8	2553303	Insulation - Swing Door	1
9	10011301	Mounting Door	1
Not Shown	10011601	Cast Iron Mtg/Swing Dr Mach. Includes Item 2,3,4,5,6,7 & 9	1

REPLACEMENT PARTS

BURNER COMPONENTS

PART NO.	DESCRIPTION
240009823	BRNR,BECK,AFG 3090
240009929	BRNR,BECK,AFG 4125
240009930	BRNR,BECK,AFG 5185
240009931	BRNR,BECK,AFG 6210
1250002	BURNER OIL FLANGE GASKET #31653
CD-001.01	CAD CELL
240008816	CONTROL 7505B1500
14619244	Nozzle, 0.75-60°B 3090 Beckett
1320024	Nozzle, 1.10-60°B 4125 Beckett
1320001	Nozzle, 1.50-70°B 5185 Beckett
14619019	Nozzle, 1.75-70°B 6210 Beckett
RP03801	Blast Tube AFG
29688	Fuel Pump, 1 Stage, 140 PSI, AFG 2184404U
1050008	Motor 21805U
1050007	Ignitor/Transformer 51771U



2201 Dwyer Avenue, Utica, NY 13501

Tel. 800 253 7900

www.ecrinternational.com

All specifications subject to change without notice.

©2018 ECR International, Inc.