



- **Quality Heat Exchanger Design:**
  - Features a dependable cast iron heat exchanger with cast iron push nipples. The sections and push nipples expand at the same rate when heated. By using similar materials instead of less expensive gaskets or steel push nipples; the boiler maintains a water tight seal.
- **Operating control:**
  - Hydrolevel with digital display and diagnostics, adjusts the water temperature based on your heating system demand which further reduces your heating costs. It also features a low water cut-off (LWCO) to protect the boiler from potentially dangerous low water conditions.
- **Choice of Burners:**
  - Beckett or Riello
- **Optional Tankless Domestic Water Heater Coil**
- **Packaged Boiler or Knock Down Option Available, Assembly Required**
- **Warranty:**
  - 20 Year Limited Heat Exchanger

# GMOW

## Oil Fired Hot Water Boiler



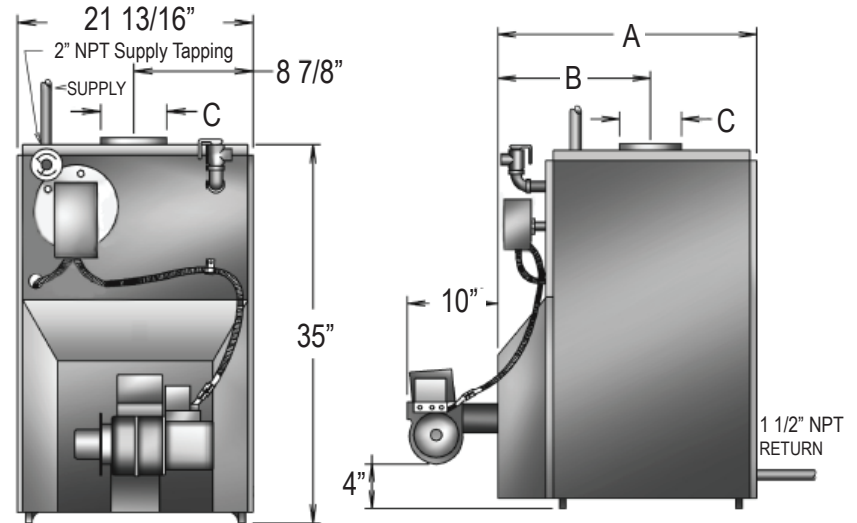
**As rugged as the outdoors...  
for dependable comfort every day**

# Green Mountain GMOW Series Oil Fired Hot Water Boiler

## Standard Equipment

- Hydrolevel Control
- Target Wall (Vacuum Formed Refractory Ceramic Fiber)
- DuraBlanket Insulation Chamber
- Assembled Boiler Block
- Insulated Jacket
- Barometric Draft Control
- Combination Temperature / Pressure Gauge
- Pre-wired 5' Pump Harness for Supply or Return Mounting in the Field
- 3/4" Boiler Drain Valve
- 30 psi ASME Relief Valve

## Options



## Specifications:

(All ratings and specifications subject to change)

Boiler Section	A Depth of Flush Jacket	B Front of casing to Center Line of Flue Outlet	C Diameter of Flue Outlet
3	17 7/8"	11 1/4"	6"
4	21 1/2"	12 5/8"	6"
5	25 1/8"	14 1/4"	7"
6	29 1/4"	15 15/16"	8"

Boiler Model Number	(1) Oil Burner Input		(3) Heating Capacity	(2) Net Ratings Water	(3) A.F.U.E.	Tankless Coil Models Tankless Heater Capacity Intermittent Draw G.P.M.
	G.P.H.	*MBH	*MBH	*MBH		
GMOW3/T	0.85	119	103	90	86.0%	3
	1.00	140	119	103	84.0%	3 1/4
GMOW4/T	1.00	140	124	108	87.0%	3 1/4
	1.25	175	152	132	86.0%	3 3/4
GMOW5/T	1.45	203	173	150	84.0%	4
	1.60	224	195	170	86.0%	4
GMOW6/T	1.85	259	221	192	84.0%	4 1/4
	1.85	259	226	197	86.0%	4 1/4
	2.10	294	252	219	84.0%	4 1/2

\*MBH = 1,000 Btu per hour [Btu = British Thermal Unit]

(1) Oil Burner input based on 140,000 Btu per gallon.

(2) Net AHRI water ratings shown are based on a piping and pickup allowance of 1.15. Consult manufacturer before selecting a boiler for installation having unusual piping and pickup requirements, such as intermittent system operation, extensive piping systems, etc.

(3) Heating Capacity and AFUE based on 13.0% CO<sub>2</sub> with -0.02" W.C. draft over fire and #1 smoke or less. Tested in accordance with U.S. Department of Energy test procedures.

T= Tankless

All ratings and specifications subject to change.

PN 240012451 Rev. 10/19



2201 Dwyer Ave., Utica, NY 13501 • Phone: 315-797-1310 • Fax: 866-432-7329