



## CONDENSING GAS FIRED WALL MOUNTED BOILER

**Models**  
**GMHB-227**  
**GMHB-380**

## **REPAIR PARTS & OPTIONAL KITS**

### ORDERING INSTRUCTIONS

ORDER PARTS THROUGH YOUR NEAREST SUPPLIER.

WHEN ORDERING PARTS, OBTAIN MODEL NUMBER AND SERIAL NUMBER FROM DATA PLATE ON YOUR BOILER.

INCLUDE FOLLOWING INFORMATION WHEN ORDERING.

PART NUMBER \_\_\_\_\_

PART DESCRIPTION \_\_\_\_\_

BOILER MODEL NUMBER \_\_\_\_\_

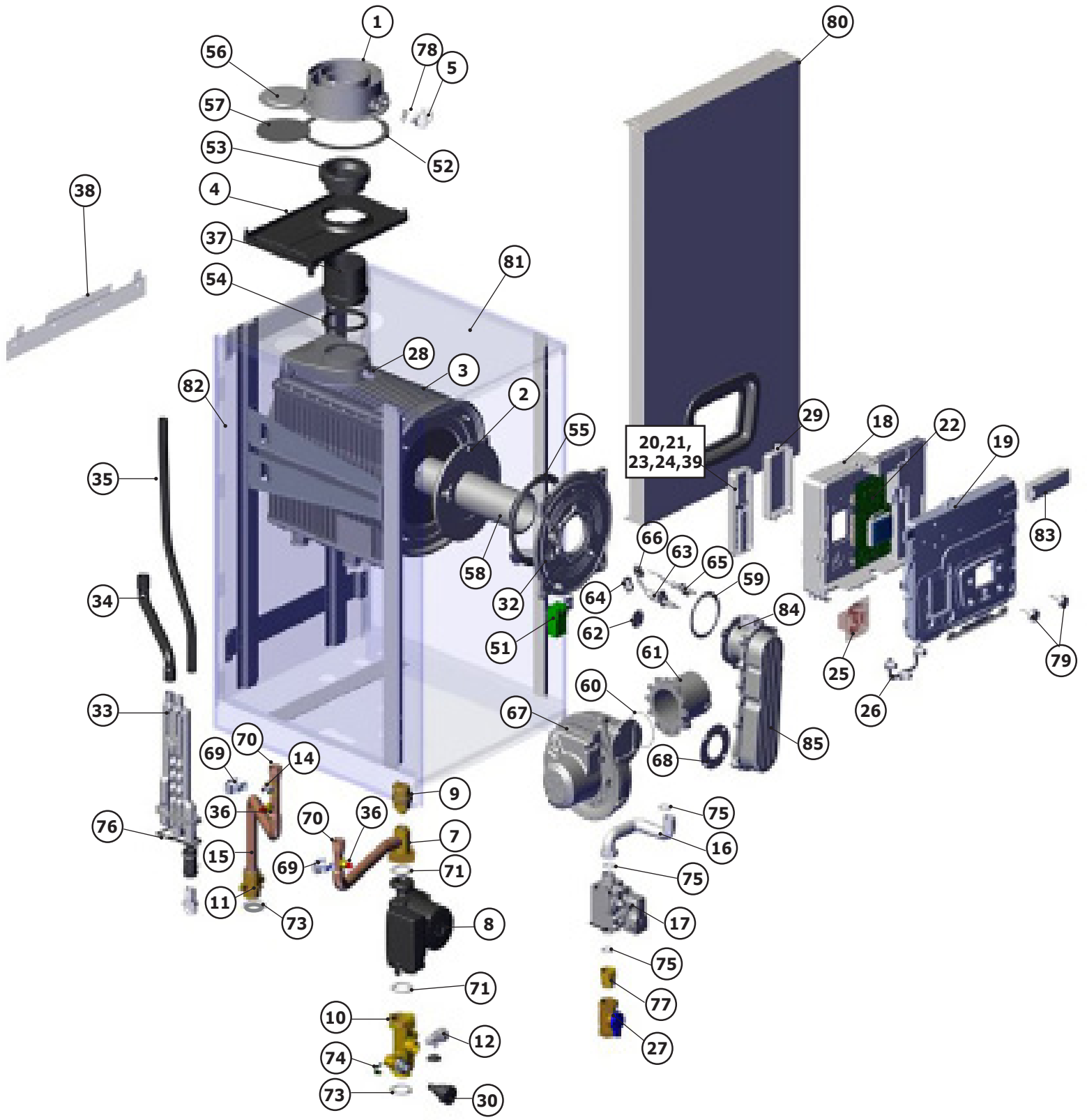
BOILER SERIAL NUMBER \_\_\_\_\_



**ECR** international

MANUFACTURED BY:  
ECR INTERNATIONAL INC.  
2201 DWYER AVENUE, UTICA, NY 13501  
TEL. 800 253 7900  
[WWW.ECRINTERNATIONAL.COM](http://WWW.ECRINTERNATIONAL.COM)  
PN 240012371 REV. D [01/31/2020]

GMHB-227



## PARTS AND ACCESSORIES

ITEM	PN	DESCRIPTION
1	BD000005670522	FLUE CONNECTION
2	BD767639201V	HEAT EX INSULATION PANEL
3	550003593	HEAT EXCHANGER <b>(SEE KIT FOR PARTS LIST)</b>
4	BD767553501V	TRAY - VENT CONDENSATION
5	BD7718578	TEST POINT PLUG SCREW HOLE
*6	BD711145501V	IGNITION CABLE
7	BD767944701V	PIPE- PUMP TO HEAT EXCHANGER
8	BD722354801V	PUMP
9	BD000005652731	AIR VENT
10	BD711238101V	RETURN BLOCK ASSY
11	BD711237001V	SUPPLY BLOCK
12	BD710188101V	DRAIN TAP
*13	VR-001.01	PRESSURE RELIEF SAFETY VALVE
14	BD710626001V	HIGH LIMIT TEMP SWITCH
15	BD767944601V	SUPPLY PIPE
16	BD768074401VV	GAS SUPPLY PIPE
17	550003533	GAS VALVE KIT <b>(SEE KIT FOR PARTS LIST)</b>
18	BD711075102V	CONTROL PANEL REAR
19	BD767927201V	CONTROL PANEL FRONT
20	BD711075601V	TERMINAL BLOCK COVER
21	BD000005688441	5 POSITION TERMINAL BLOCK FOR FUSES
22	550003498	CONTROL BOARD REPLACEMENT KIT <b>(SEE KIT FOR PARTS LIST)</b>
23	BD5405340V	FUSE HOLDER
24	BD84227301V	FUSE, 3.5A 250V
25	BD711366901V	120V INTERFACE BOARD WITH CONNECTOR
26	BD766861701V	3 BUTTON KEYPAD
27	BD000005643331	GAS SHUTOFF VALVE (3/4")
28	BD711180100	NTC FLUE SENSOR
29	BD711075801V	CLIP IN COVER- CONTROL BOX
30	BD710109101V	WATER PRESSURE SENSOR
*31	BD710127501V	CABLE-FLAME SENSOR
32	550003596	HEAT EXCHANGER DOOR <b>(SEE KIT FOR PARTS LIST)</b>
33	BD765674901V	CONDENSATION TRAP
34	BD766859301	HOSE- HEAT EX TO TRAP
35	BD766859801	HOSE- VENT TRAY TO TRAP
36	BD768348801V	WATER TEMP SENSOR
37	BD767370101V	FUMES,ADAPTER,HTEX
38	109009874	WALL MOUNTING BRACKET
39	BD710117901V	TERMINAL BLOCK 10 POSITION
*40	1260006SP	TEMPERATURE / PRESSURE GAUGE
*41	BD000008417651	POWER CABLE
*42	BD710992901V	REMOTE CONTROL HARNESS (2 WIRE)
*43	BD768165101V	HARNESS X5 GAS VALVE
*44	BD768189701V	HARNESS X22 LOW VOLTAGE SENSORS 230B
*45	BD767090801V	HARNESS X11 FAN
*46	BD768189501V	HARNESS X13 POWER - FAN, PUMP 227
*47	BD710993405V	HARNESS 24V PCB

ITEM	PN	DESCRIPTION
*48	768189601	HARNESS X20
*49	BD768243201V	HARNESS X37 LIMIT
*50	BD711065801V	HARNESS- FLUE NTC SENSOR
51	BD768096501V	IGNITION MODULE
52	BD000005410712	GASKET- FLUE ADAPTER TO CABINET
53	BD767373901V	GASKET- HEAT EXCHANGER ADAPTER TO FLUE TRAY
*54	BD000005411030	GASKET- HEAT EXCHANGER TO ADAPTER
55	BD722003801V	SEAL- HEAT EXCHANGER DOOR
56	BD710300601V	COVER PLATE- TWIN PIPE INTAKE
57	BD710784801V	GASKET-COVER PLATE, TWIN PIPE INTAKE
58	550003494	BURNER <b>(SEE KIT FOR PARTS LIST)</b>
59	BD711408002V	BURNER GASKET
60	BD000003402101	O-RING- VENTURI 70MM X 3MM
61	550003607	POLIDORO VENTURI <b>(SEE KIT FOR PARTS LIST)</b>
62	550003739	SIGHT GLASS KIT <b>(SEE KIT FOR PARTS LIST)</b>
63	550003495	IGNITER <b>(SEE KIT FOR PARTS LIST)</b>
64	BD710185302V	IGNITER GASKET
65	550003496	FLAME SENSOR <b>(SEE KIT FOR PARTS LIST)</b>
66	BD710185201V	FLAME SENSOR GASKET
67	550003599	FAN <b>(SEE KIT FOR PARTS LIST)</b>
68	BD710115602V	GASKET FAN/AIR GAS DUCT
69	BD721623501V	CLIP- PIPES TO HEAT EXCHANGER
70	BD000005411331	ORING 20MM X2.6MM
71	BD000005402141	GASKET, G1-1/2
*72	BD710390601V	GASKET, GAS VALVE
73	BD000005405001	GASKET, G1 22X30,3X2
74	BD710654101V	CLIP, PRESSURE SENSOR
75	BD710113001V	GASKET, G3/4 17X24X2
76	BD721696402V	GASKET- CONDENSATE TRAP
77	BD722270601V	ADAPTER G3/4 X 3/4NPT
78	BD710107801V	O-RING, TEST PORT PLUG
79	BD766937701V	CONTROL KNOBS
80	550003584	FRONT JACKET KIT INCLUDES INSULATION
81	550003587	RIGHT PANEL KIT INCLUDES INSULATION
82	550003588	LEFT PANEL KIT INCLUDES INSULATION
83	BD711075501V	CONTROL PANEL SUPPORT ARM
84	550003608	SPACER EXTENSION
85	BD711187501V	AIR GAS MANIFOLD
*86	BD710397801V	GASKET,G1",31X42 FOAM
*87	BD000005212781	ROPE GASKET
*88	BD711427701V	T-STAT SFTY 260°C

\* NOT SHOWN

## BLOWER, MIXER, GAS VALVE REPLACEMENT

<b>550003599 - GMHB227 FAN REPLACEMENT KIT INCLUDES:</b>			
<b>ITEM</b>	<b>PN</b>	<b>DESCRIPTION</b>	<b>QTY</b>
67	BD722358701V	FAN, RG137, 120V	1
68	BD710115602V	GASKET VENTURI/FAN/AIR DUCT	1
60	BD000003402101	O-RING, 70 X 3	1
59	BD711408002V	GASKET, BURNER	1
75	BD710113001V	GASKET G3/4 17X24X2	1
NS	240012404	INSTRUCTION REPLACEMENT BLOWER	1

<b>550003607- GMHB227 VENTURI REPLACEMENT KIT INCLUDES:</b>			
<b>ITEM</b>	<b>PN</b>	<b>DESCRIPTION</b>	<b>QTY</b>
61	BD710402202V	MIXER, BICLAP, 30, VENTURI	1
60	BD000003402101	ORING, 70X3	1
75	BD710113001V	GASKET G3/4 17X24X2	1
NS	240012405	INSTRUCTION REPLACEMENT AIR GAS MIXER	1

<b>550003533 - GMHB227 GAS VALVE REPLACEMENT KIT INCLUDES:</b>			
<b>ITEM</b>	<b>PN</b>	<b>DESCRIPTION</b>	<b>QTY</b>
17	BD721613001V	GAS VALVE	1
75	BD710113001V	GASKET G3/4 17X24X2	2
NS	240012258	INSTRUCTION	1

## HEAT EXCHANGER KIT COMPONENTS

<b>550003608 GMHB160-GMHB227 EXTENSION AIR GAS COLLECTOR REPLACEMENT KIT INCLUDES:</b>			
<b>ITEM</b>	<b>PN</b>	<b>DESCRIPTION</b>	<b>QTY</b>
84	BD000005212922	SPACER EXTENTION	1
59	BD711408002V	BURNER GASKET	1
75	BD710113001V	GSKT G3/4 17X24X2	2
NS	BD710114502V	GSKT, BURNER, SPCR, EXT	1
NS	240012421	INSTRUCTIONS	1

<b>KIT 550003604 - HEAT EXCHANGER CLEANING - KIT INLCUDES:</b>			
<b>ITEM</b>	<b>PN</b>	<b>DESCRIPTION</b>	<b>QTY</b>
105	BD722003801V	SEAL,HTX, DOOR	1
NS	240011636	GLOVE, LATEX, BLK, LRG, S-19810	4
NS	240011637	SHLD,HTX,CLNG	1
NS	240011639	BAG,POLY,12"X26",2MIL,S-5779	4
NS	240011640	BRUSH,2"X3",W/HANDLE,1" STIFF BRISTLE	1
NS	240012412	INSTRUCTIONS	1

NS - NOT SHOWN

## HEAT EXCHANGER KIT COMPONENTS

<b>550003593 - GMHB227 HEAT EXCHANGER REPLACEMENT - KIT INCLUDES:</b>			
<b>ITEM</b>	<b>PN</b>	<b>DESCRIPTION</b>	<b>QTY</b>
3	BD767801501V	HEAT EXCHANGER SERMENTA 5-1-3	1
55	BD722003801V	SEAL HEAT EXCHANGER DOOR FRONT	1
52	BD000005410712	SEAL FLUE ADAPTER	1
53	BD767373901V	SEAL, CONDENSATE TRAY	1
75	BD710113001V	GASKET G3/4 17X24X2	1
70	BD000005411331	O-RING 20, 24X2,62	2
28	BD711180100	NTC FLUE SENSOR	1
73	BD000005405001	GASKET,GI, 22X30.5X2 WRC	1
71	BD000005402141	PUMP GASKET GI 1/2,44X30X2M	1
NS	BD000005212781	ROPE GASKET	1
NS	240012415	INSTRUCTIONS	1

<b>550003596 - GMHB227 HEAT EXCHANGER <i>DOOR</i> REPLACEMENT - KIT INCLUDES:</b>			
<b>ITEM</b>	<b>PN</b>	<b>DESCRIPTION</b>	<b>QTY</b>
32	BD766847401V	HEAT EXCHANGER DOOR ALUMINUM	1
55	BD722003801V	COMBUSTION CHAMBER GASKET	1
64	BD710185302V	GASKET, IGNITER	1
66	BD710185201V	GASKET, FLAME SENSING ELECTRIC	1
NS	BD710112202V	GASKET, SIGHT GLASS	1
2	BD767639201V	BURNER DOOR INSULATION	1
59	BD711408002V	GASKET, BURNER	1
NS	BD000005212781	ROPE GASKET	1
NS	BD711427701V	T-STAT SFTY 260°C	1
75	BD710113001V	GASKET, G3/4 17X24X2	1
NS	BD710114502V	GSKT, BNR, SPCR/EXTN	1
NS	240012418	INSTRUCTIONS	1

<b>550003743 - GMHB227 HEAT EXCHANGER <i>GASKET</i> REPLACEMENT - KIT INCLUDES:</b>			
<b>ITEM</b>	<b>PN</b>	<b>DESCRIPTION</b>	<b>QTY</b>
55	BD722003801V	COMBUSTION CHAMBER GASKET	1
53	BD767373901V	CONDENSATE TRAY SEAL	1
54	BD000005411030	GASKET (WATER TRAY TO HEAT EXCHANGER)	1
52	BD000005410712	GASKET, FLUE ADAPTER TO CABINET	1
NS	BD000005212781	ROPE GASKET	1
75	BD710113001V	GASKET G3/4 17X24X2	1
NS	240012683	INSTRUCTIONS	1

NS - NOT SHOWN

# BURNER, IGNITION ELECTRODE, FLAME SENSOR KITS

<b>550003494 - GMHB227 BURNER REPLACEMENT - KIT INCLUDES:</b>			
<b>ITEM</b>	<b>PN</b>	<b>DESCRIPTION</b>	<b>QTY</b>
58	BD710401801V	BURNER	1
59	BD711408002V	GASKET, BURNER, ASSY	2
75	BD710113001V	GASKET G 3/4 17X24X2	1
NS	BD710114502V	GASKET, BNR, SPCR, EXTN	1
NS	240012185	INSTRUCTION	1

<b>KIT 550003495 -IGNITION ELECTRODE REPLACEMENT KIT</b>			
<b>ITEM</b>	<b>PN</b>	<b>DESCRIPTION</b>	<b>QTY</b>
63	BD711010701V	ELECTRODE IGNITION	1
64	BD710185302V	GSKT,IGN,PEN	1
NS	240012293	WRENCH, HEX, 3MM	1
NS	240012186	INSTRUCTION	1

<b>KIT 550003496 - FLAME SENSOR REPLACEMENT KIT</b>			
<b>ITEM</b>	<b>PN</b>	<b>DESCRIPTION</b>	<b>QTY</b>
65	BD711010801V	FLAME SENSOR,B&P	1
66	BD710185201V	FLAME SENSING ELECTRIC GASKET	1
NS	240012293	WRENCH, HEX, 3MM	1
NS	240012187	INSTRUCTION	1

NS - NOT SHOWN

## PCB REPLACEMENT

<b>KIT 550003498 - GMHB227 PCB/CONTROL REPLACEMENT KIT INCLUDES:</b>			
<b>ITEM</b>	<b>PN</b>	<b>DESCRIPTION</b>	<b>QTY</b>
22	BD768191801V	PCB, B&P, HACCO3-8X04, LESS SVC KEY	1
NS	240012189	INSTRUCTION	1

<b>KIT 550003523 - GMHB227 PCB/CONTROL SERVICE KEY REPLACEMENT KIT INCLUDES:</b>			
<b>ITEM</b>	<b>PN</b>	<b>DESCRIPTION</b>	<b>QTY</b>
NS	BD710707701N	SERVICE KEY	1
NS	240012189	INSTRUCTION	1

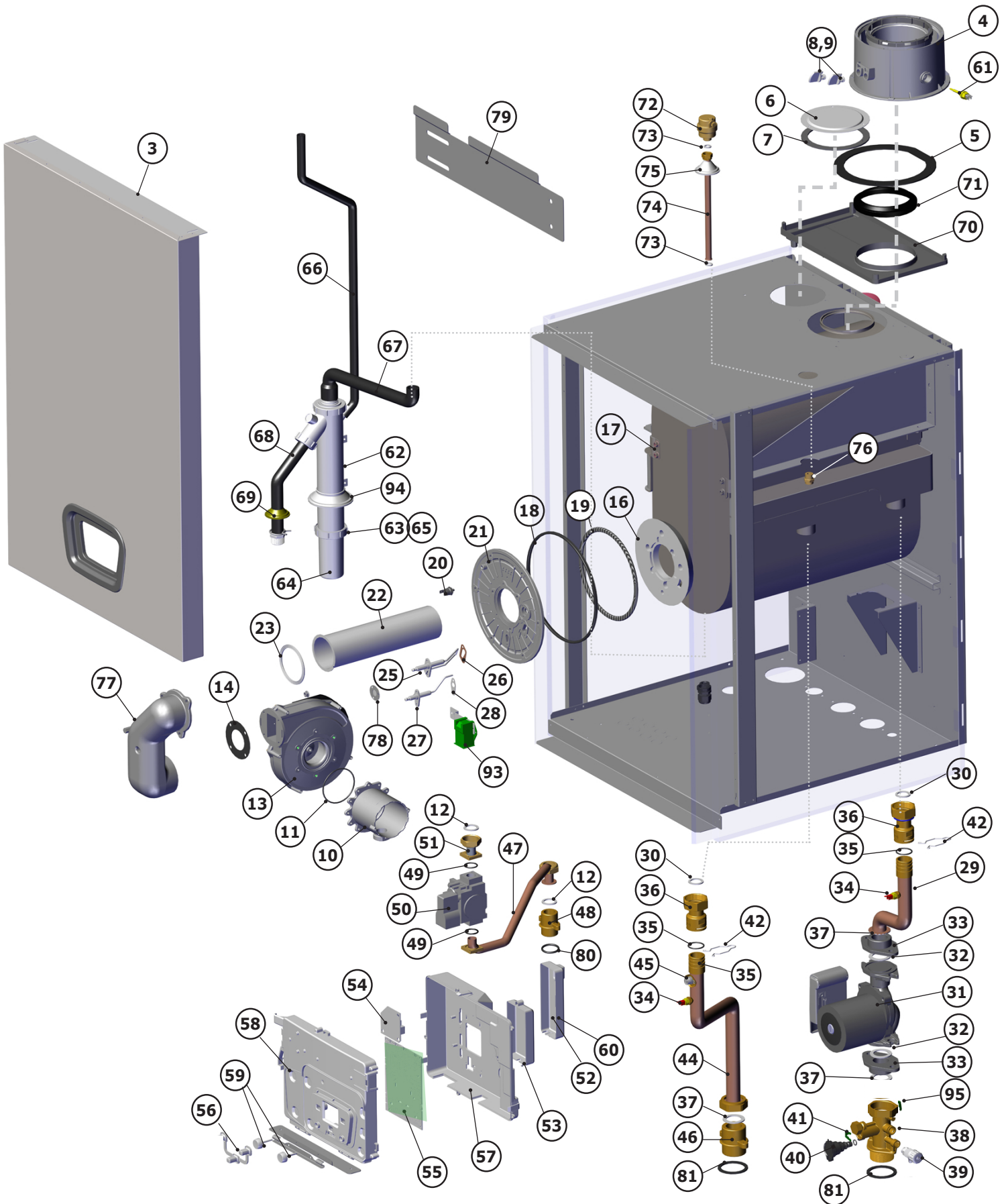
## FLUE REPLACEMENT KIT COMPONENTS

<b>550003849 - GMHB227 FLUE CONNECTION GASKET REPLACEMENT - KIT INCLUDES:</b>			
<b>ITEM</b>	<b>PN</b>	<b>DESCRIPTION</b>	<b>QTY</b>
NS	BD5410850	80 MM GASKET	1
NS	BD5410860	125 MM GASKET	1
NS	BD5410870	SEALING GASEKT TOP 125MM	1
52	BD000005410712	SEAL FLUE ADAPTER	1
78	BD710107801V	O-RING TEST PORT PLUG 8.73X1.78	2
56	BD710300601V	TWIN PLATE COVER	1
57	BD710784801V	GASKET TWIN PLATE COVER	1
NS	240012833	INSTRUCTION	1

<b>550003850 - GMHB227 FLUE CONNECTION REPLACEMENT- KIT INCLUDES:</b>			
<b>ITEM</b>	<b>PN</b>	<b>DESCRIPTION</b>	<b>QTY</b>
1	BD000005670522	ASSEMBLY FLUE ADAPTER	1
52	BD000005410712	SEAL FLUE ADAPTER	1
78	BD710107801V	O-RING 8.73X1.78	2
5	BD7718578	TEST PORT PLUG	2
NS	240012833	INSTRUCTION	1

NS - NOT SHOWN

GMHB-380





## PARTS AND ACCESSORIES

ITEM	PN	DESCRIPTION
1	550003591	LEFT PANEL KIT W/INSUL
2	550003590	RIGHT PANEL KIT W/INSUL
3	550003589	FRONT PANEL KIT W/INSUL
4	550003291	FLUE CONNNECTION ( <i>see Kit for parts list</i> )
5	BD710450601V	FLUE CONNECTION GASKET
6	BD000005116111	COVER PLATE- TWIN PIPE INTAKE
7	BD000005412421	GASKET- COVER PLATE
8	BD710107701V	TEST PORT PLUG
9	BD710107801V	O-RING, TEST PORT PLUG
10	550003601	VENTURI ( <i>see Kit for parts list</i> )
11	BD000003402101	O-RING- VENTURI
12	BD000005405001	GASKET, G1 VENTURI TO GAS PIPE
13	550003636	FAN RG 148 ( <i>see Kit for parts list</i> )
14	BD710115602V	GASKET FAN/AIR GAS DUCT
*15	BD711465600	HEAT EXCHANGER REAR INSULATION
16	BD710487800	HEAT EXCHANGER FRONT INSULATION
17	550003600	HEAT EXCHANGER KIT ( <i>see Kit for parts list</i> )
18	BD711405001V	HEAT EXCH DOOR RING SEAL
19	BD000005212781	HEAT EXCH DOOR ROPE SEAL
20	BD711427701V	THERMOSTAT: HEAT EXCH DOOR
21	550003524	HEAT EXCH DOOR ( <i>see Kit for parts list</i> )
22	550003520	BURNER 100KW ( <i>see Kit for parts list</i> )
23	BD710624301V	BURNER GASKET 380
*24	BD711145501V	IGNITER CABLE
25	550003495	IGNITER ( <i>see Kit for parts list</i> )
26	BD710185302V	IGNITER GASKET
27	550003496	FLAME SENSOR ( <i>see Kit for parts list</i> )
28	BD710185201V	FLAME SENSOR GASKET
29	550003530	RETURN PIPE ASSY ( <i>see Kit for parts list</i> )
30	BD000003402291	GASKET- HEAT EX PIPE CONNECTION
31	550003280	PUMP GRUNDFOS UP26-96 F ( <i>see Kit for parts list</i> )
32	BD722323301V	PUMP GASKET
33	BD72233401V	PUMP FLANGE ADAPTER
34	BD710831501V	NTC WATER SENSOR
35	BD000005400401	O-RING: HX PIPE ADAPTER
36	BD710372402V	ADAPTER: HEAT EX PIPE CONNECTION
37	BD000005402141	FLAT GASKET: G1-1/2
38	BD721700301V	RETURN CONNECTION BLOCK
39	BD710188101	ON-BOARD DRAIN
40	BD710109101V	WATER PRESSURE SENSOR
41	BD710654101V	CLIP: WATER PRESSURE SENSOR
42	BD000005116121	CLIP: ADAPTER HEAT EX PIPE CONN
*43	VR00102	PRESSURE RELIEF VALVE
44	550003529	SUPPLY PIPE ( <i>see Kit for parts list</i> )
45	BD710626001V	HIGH LIMIT TEMPERATURE SWITCH
46	BD721700201V	SUPPLY CONNECTION

ITEM	PN	DESCRIPTION
47	BD721709301V	GAS PIPE
48	BD711237001V	GAS CONNECTION
49	BD000005402011	ORING- GAS VALVE
50	550003532	GAS VALVE KIT ( <i>see Kit for parts list</i> )
51	BD722406402V	ADAPTER GAS VALVE TO VENTURI
52	BD711075601V	TERMINAL STRIP COVER
53	BD711075801V	CLIP IN COVER- CONTROL BOX
54	BD711366901V	24V BOARD
55	550003498	REPLACEMENT PCB
56	BD766861702V	3 BUTTON KEYPAD
57	BD711075102V	REAR COVER FOR CONTROL
58	BD767927201V	FRONT COVER- CONTROL
59	BD766937701V	CONTROL KNOBS
60	BD000005688441	5 POSITION TERMINAL BLOCK FOR FUSES
61	BD710682402V	FLUE SENSOR
62	550003279	CONDENSATE SYPHON 380 ( <i>see Kit for parts list</i> )
63	BD722148901V	GASKET SYPHON CUP
64	BD722148701V	CONDENSATE SYPHON CUP
65	BD722148801	CONDENSATE SYPHON NUT
66	BD721708301V	HOSE CONDENSATE TRAY
67	BD721548801V	HOSE CONDENSATE HEAT EXCH
68	BD721705201V	HOSE CONDENSATE DISCHARGE
69	BD000005409252	GASKET: DISCHARGE HOSE
70	BD710373401V	CONDENSATE TRAY
71	BD710373101V	SEAL: HEAT EXCH FLUE
72	BD000005652731	AIR VENT
73	BD710189001V	GASKET G3/8
74	BD710411901V	PIPE- AIR VENT
75	BD710194601V	GROMMET- AIR VENT PIPE
76	BD000003202441	NIPPLE- G3/8
77	550003286	AIR/GAS PASSAGE ( <i>see Kit for parts list</i> )
78	550003739	SIGHT GLASS KIT ( <i>see Kit for parts list</i> )
79	109010056	WALL BRACKET
80	BD710397801V	FOAM GASKET GAS CONNECTION
81	BD710445901V	FOAM GASKET WATER CONN
*82	BD768243701V	FAN HARNESS, X23
*83	BD710993405V	HARNESS INTERNAL TO CONTROL BOARD
*84	BD767090801V	FAN POWER HARNESS X11
*85	BD768165101V	GAS VALVE HARNESS
*86	BD768243201V	TEMP SWITCH HARNESS, X37
*87	BD768253401V	OUTDOOR/DHW/FLUE SENSOR HARNESS X20
*88	BD768255101V	PUMP HARNESS X13, 380
*89	BD711145501V	IGNITER WIRE
*90	BD710117501V	IGNITER GROUND WIRE
*91	BD768180801V	IGNITION BOX HARNESS (FROM PCB)
*92	BD768252701V	SENSOR HARNESS X 22
93	BD768096501V	IGNITION MODULE
94	BD710440001V	GROMMET - CONDENSATE TRAP
95	BD710110601V	CLIP, HYDROBLOCK PLUG

\* NOT SHOWN

## HEAT EXCHANGER REPLACEMENT KITS

### 550003600 - GMHB380 HEAT EXCHANGER REPLACEMENT - KIT INCLUDES:

ITEM	PN	DESCRIPTION	QTY
17	BD000003626882	HEAT EXCHANGER 100KW DUOZ,380	1
18	BD711405001V	SEAL, FLANG	1
19	BD000005212781	HX DOOR ROPE SEAL	1
5	BD710450601V	FLUE ADAPTOR GASKET	1
37	BD000005402141	GASKET G3/4 17X24X2	2
71	BD710373101V	O-RING 20, 24X2,62	1
30	BD000003402291	GASKET G1 380	2
12	BD000005405001	GASKET G1 22X30, 3X2 WRC	1
73	BD710189001V	GASKET 9.7X15X2	1
NS	240012406	INSTRUCTIONS	1

### 550003524 - GMHB380 HEAT EXCHANGER COVER REPLACEMENT - KIT INCLUDES:

ITEM	PN	DESCRIPTION	QTY
21	BD710462802V	HEAT EXCHANGER DOOR	1
18	BD711405001V	SEAL, FLANG	1
19	BD000005212781	SEAL, FIBERGLASS, ROPE	1
20	BD711427701V	THERMOSTAT SAFETY, 260°C	1
16	BD710487800	HEAT EXCHANGER FRONT INSULATION	1
12	BD000005405001	GASKET G1 22X30, 3X2 WRC	1
26	BD710185302V	GASKET IGNITER	2
NS	BD710112202V	GASKET SIGHT GLASS	1
78	BD710112101V	SIGHT GLASS	1
NS	240012409	INSTRUCTIONS	1

### 550003520 - GMHB380 BURNER REPLACEMENT - KIT INCLUDES:

ITEM	PN	DESCRIPTION	QTY
22	BD710461002V	BURNER 100 KW	1
23	BD710624301V	BURNER GASKET	1
12	BD000005405001	GASKET G1 22X30, 3X2 WRC	1
NS	240012234	INSTRUCTION	1

### 550003603 - GMHB380 HEAT EXCHANGER CLEANING KIT - KIT INCLUDES:

ITEM	PN	DESCRIPTION	QTY
18	BD711405001V	SEAL, FLANG	1
19	BD000005212781	SEAL, FIBERGLASS, ROPE	1
12	BD000005405001	GASKET, G1 22X30.3X2 WRC	1
NS	240011636	GLOVE, LATEX, BLK,LRG,S-19810	4
NS	240011637	HTEX SHLD, CLNG	1
NS	240011639	BAG,POLY,12"X26",2MIL,S5779	4
NS	240011640	BRUSH,2"X3",W/HANDLE,1" STIFF BRISTLE	1
NS	240012411	INSTRUCTION	1

NS - NOT SHOWN

## MAJOR COMPONENT REPLACEMENT KITS

<b>550003636 - GMHB380 FAN REPLACEMENT - KIT INCLUDES:</b>			
<b>ITEM</b>	<b>PN</b>	<b>DESCRIPTION</b>	<b>QTY</b>
13	BD000003624431	FAN, RG148	1
14	BD710115602V	GASKET FAN/AIR GAS DUCT	1
11	BD000003402101	VENTURI GASKET	1
23	BD710624301V	BURNER GASKET	1
NS	240012235	INSTRUCTION	1

<b>550003601 - GMHB380 VENTURI REPLACEMENT - KIT INCLUDES:</b>			
<b>ITEM</b>	<b>PN</b>	<b>DESCRIPTION</b>	<b>QTY</b>
10	BD722591601V	VENTURI, NG, 380	1
11	BD000003402101	ORING, 70X3	1
30	BD000003402291	GASKET G1, 380	1
12	BD000005405001	GASKET G1 22X30, 3X2 WRC	1
NS	240012408	INSTRUCTION	1

<b>550003286 - GMHB380 AIR GAS COLLECTOR - KIT INCLUDES:</b>			
<b>ITEM</b>	<b>PN</b>	<b>DESCRIPTION</b>	<b>QTY</b>
77	BD710386003V	CAST ALUMINUM AIR DUCT	1
23	BD710624301V	BURNER GASKET	1
14	BD710115602V	FAN GASKET	1
12	BD000005405001	GASKET G1 22X30, 3X2 WRC	1
NS	240012407	INSTRUCTION	1

<b>550003532 - GMHB380 GAS VALVE REPLACEMENT KIT INCLUDES:</b>			
<b>ITEM</b>	<b>PN</b>	<b>DESCRIPTION</b>	<b>QTY</b>
50	BD000005676671	GAS VALVE SIT SIGMA848	1
49	BD000005402011	ORING 22.22X2.62	2
NS	240012257	INSTRUCTION	1

<b>550003280 - GMHB380 PUMP REPLACEMENT - KIT INCLUDES:</b>			
<b>ITEM</b>	<b>PN</b>	<b>DESCRIPTION</b>	<b>QTY</b>
31	BD722224001V	PUMP UP26-96 F	1
37	BD000005402141	PUMP GASKET	2

NS - NOT SHOWN

## IGNITER AND FLAME SENSE KIT COMPONENTS

<b>KIT 550003495 -IGNITION ELECTRODE REPLACEMENT KIT</b>			
<b>ITEM</b>	<b>PN</b>	<b>DESCRIPTION</b>	<b>QTY</b>
25	BD711010701V	ELECTRODE IGNITION	1
26	BD710185302V	GSKT,IGN,PEN	1
NS	240012293	WRENCH, HEX, 3MM	1
NS	240012186	INSTRUCTION	1

<b>KIT 550003496 - FLAME SENSOR REPLACEMENT KIT</b>			
<b>ITEM</b>	<b>PN</b>	<b>DESCRIPTION</b>	<b>QTY</b>
27	BD711010801V	FLAME SENSOR,B&P	1
28	BD710185201V	FLAME SENSING ELECTRIC GASKET	1
NS	240012293	WRENCH, HEX, 3MM	1
NS	240012187	INSTRUCTION	1

NS - NOT SHOWN

## FLUE AND CONDENSATE REPLACEMENT KIT COMPONENTS

<b>550003854 - GMHB380 FLUE CONNECTION REPLACEMENT - KIT INCLUDES:</b>			
<b>ITEM</b>	<b>PN</b>	<b>DESCRIPTION</b>	<b>QTY</b>
4	BD710722102V	FLUE ADAPTOR D	1
NS	BD710381301V	110 MM GSKET	1
NS	BD710381002V	160MM GASKET	1
61	BD710682402V	FLUE SENSOR	1
8	BD7718578	TEST PORT PLUG	2
9	BD710107801V	O-RING TEST PORT PLUG	2
5	BD710450601V	GASKET FOR FLUE ADAPTER	1
NS	BD710106901V	SCREW SP4.2X13TC CR-ZN	4
NS	240011378	LABEL: TEST PORT	1
NS	240012864	INSTRUCTION	1

<b>550003855 - GMHB380 FLUE CONNECTION GASKET REPLACEMENT- KIT INCLUDES:</b>			
<b>ITEM</b>	<b>PN</b>	<b>DESCRIPTION</b>	<b>QTY</b>
7	BD000005412421	AIR INLET GASKET	1
6	BD000005116111	AIR INLET CAP	1
5	BD710450601V	FLUE ADAPTER GASKET .380	1
9	BD710107801V	O-RING 8.73X1.78	2
NS	BD710381002V	SEAL D16	1
NS	BD710377702V	RING D10	1
NS	BD710381301V	SEAL D11	1
NS	24001864	INSTRUCTION	1

<b>550003279 - GMHB380 CONDENSATE TRAP - KIT INCLUDES:</b>			
<b>ITEM</b>	<b>PN</b>	<b>DESCRIPTION</b>	<b>QTY</b>
62	BD721547201V	CONDENSATE TRAP	1
63	BD722148901V	SIPHON SEAL	1
64	BD722148701V	SIPHON FERRULE	1
65	BD722148801V	SIPHON FERRULE	1
NS	240011716	INSTRUCTION	1

## CONTROL COMPONENT REPLACEMENT KITS

<b>KIT 550003498 - GMHB380 PCB/CONTROL REPLACEMENT KIT INCLUDES:</b>			
<b>ITEM</b>	<b>PN</b>	<b>DESCRIPTION</b>	<b>QTY</b>
22	BD768191801V	BD,PCB, B&P, HACCO3-8X04, LESS SVC KEY	1
NS	240012189	INSTRUCTION	1

<b>KIT 550003523 - GMHB380 PCB/CONTROL SERVICE KEY REPLACEMENT KIT INCLUDES:</b>			
<b>ITEM</b>	<b>PN</b>	<b>DESCRIPTION</b>	<b>QTY</b>
NS	BD710707701N	SERVICE KEY	1
NS	240012189	INSTRUCTION	1

## SUPPLY AND RETURN PIPE REPLACEMENT KIT COMPONENTS

<b>KIT 550003529 - GMHB380 SUPPLY PIPE REPLACEMENT KIT INCLUDES:</b>			
<b>ITEM</b>	<b>PN</b>	<b>DESCRIPTION</b>	<b>QTY</b>
44	BD767923501V	SUPPLY PIPE	1
35	BD000005400401	O-RING: HX PIPE ADAPTER	2
37	BD000005402141	FLAT GASKET: G1-1/2	1

<b>KIT 550003530 - GMHB380 RETURN PIPE REPLACEMENT KIT INCLUDES:</b>			
<b>ITEM</b>	<b>PN</b>	<b>DESCRIPTION</b>	<b>QTY</b>
29	BD767923701V	RETURN PIPE	1
35	BD000005400401	O-RING: HX PIPE ADAPTER	2
37	BD000005402141	FLAT GASKET: G1-1/2	1



2201 DWYER AVENUE, UTICA, NY 13501  
TEL. 800 253 7900  
[WWW.ECRINTERNATIONAL.COM](http://WWW.ECRINTERNATIONAL.COM)

ALL SPECIFICATIONS SUBJECT TO CHANGE WITHOUT NOTICE.  
©2018 ECR INTERNATIONAL, INC.