



CONDENSING GAS FIRED WALL MOUNTED BOILER

Models
GMHB125
GMCB150
GMHB160
GMCB200

REPAIR PARTS & OPTIONAL KITS

ORDERING INSTRUCTIONS

ORDER PARTS THROUGH YOUR NEAREST SUPPLIER.

WHEN ORDERING PARTS, OBTAIN MODEL NUMBER AND SERIAL NUMBER FROM DATA PLATE ON YOUR BOILER.

INCLUDE FOLLOWING INFORMATION WHEN ORDERING.

PART NUMBER _____

PART DESCRIPTION _____

BOILER MODEL NUMBER _____

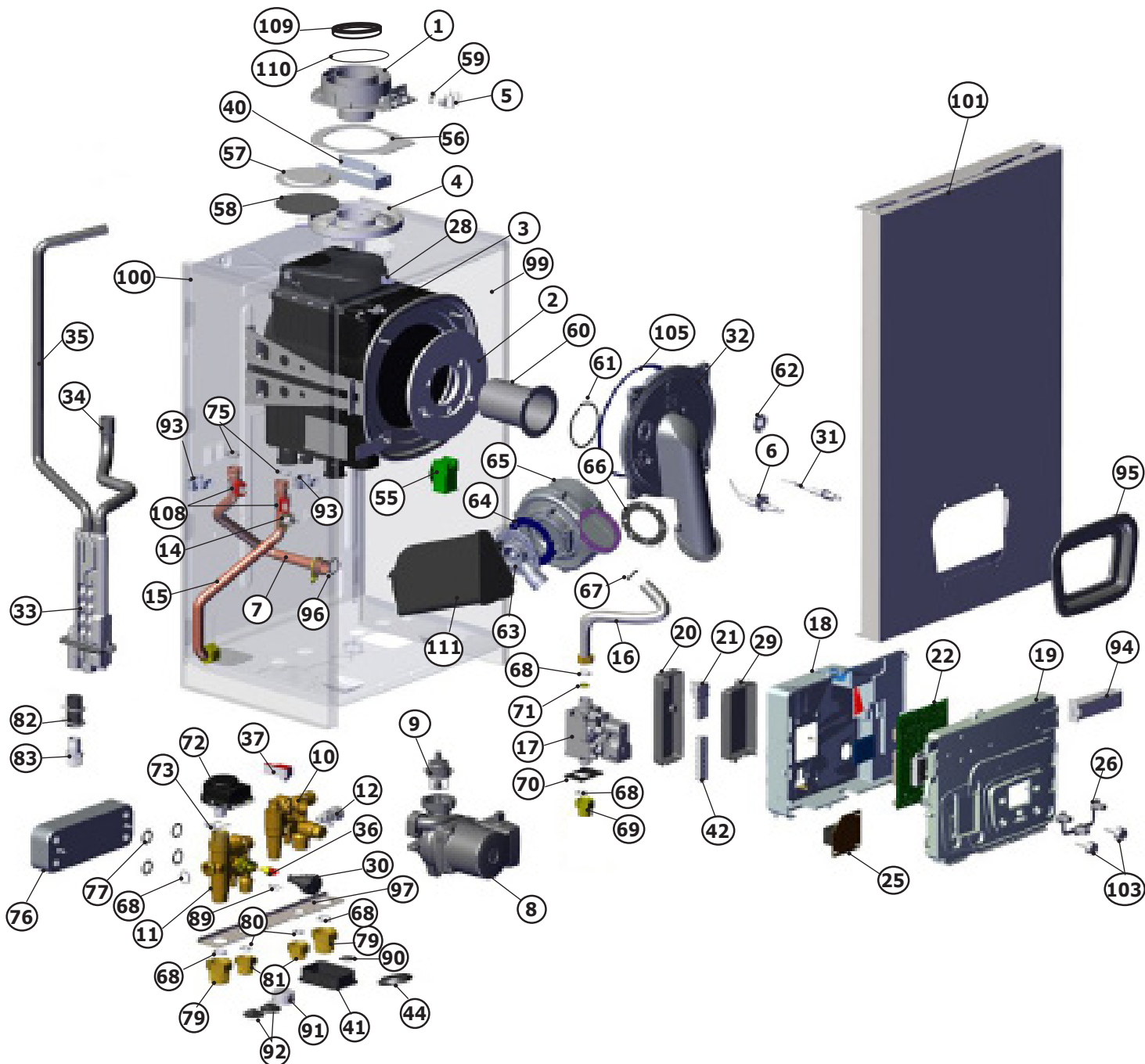
BOILER SERIAL NUMBER _____



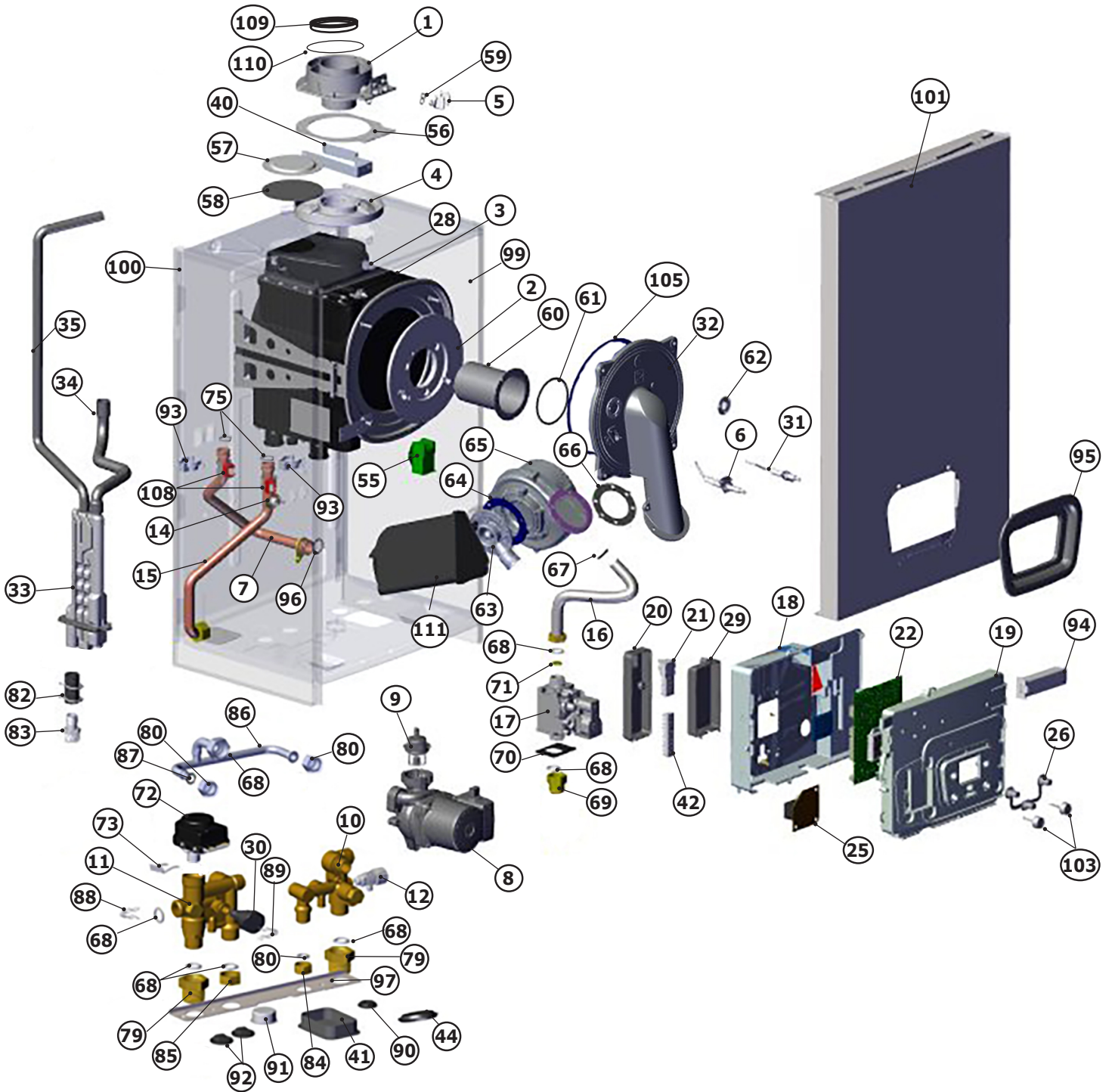
ECR international

MANUFACTURED BY:
ECR INTERNATIONAL INC.
2201 DWYER AVENUE, UTICA, NY 13501
TEL. 800 253 7900
WWW.ECRINTERNATIONAL.COM
PN 240012368 REV. E [01/31/2020]

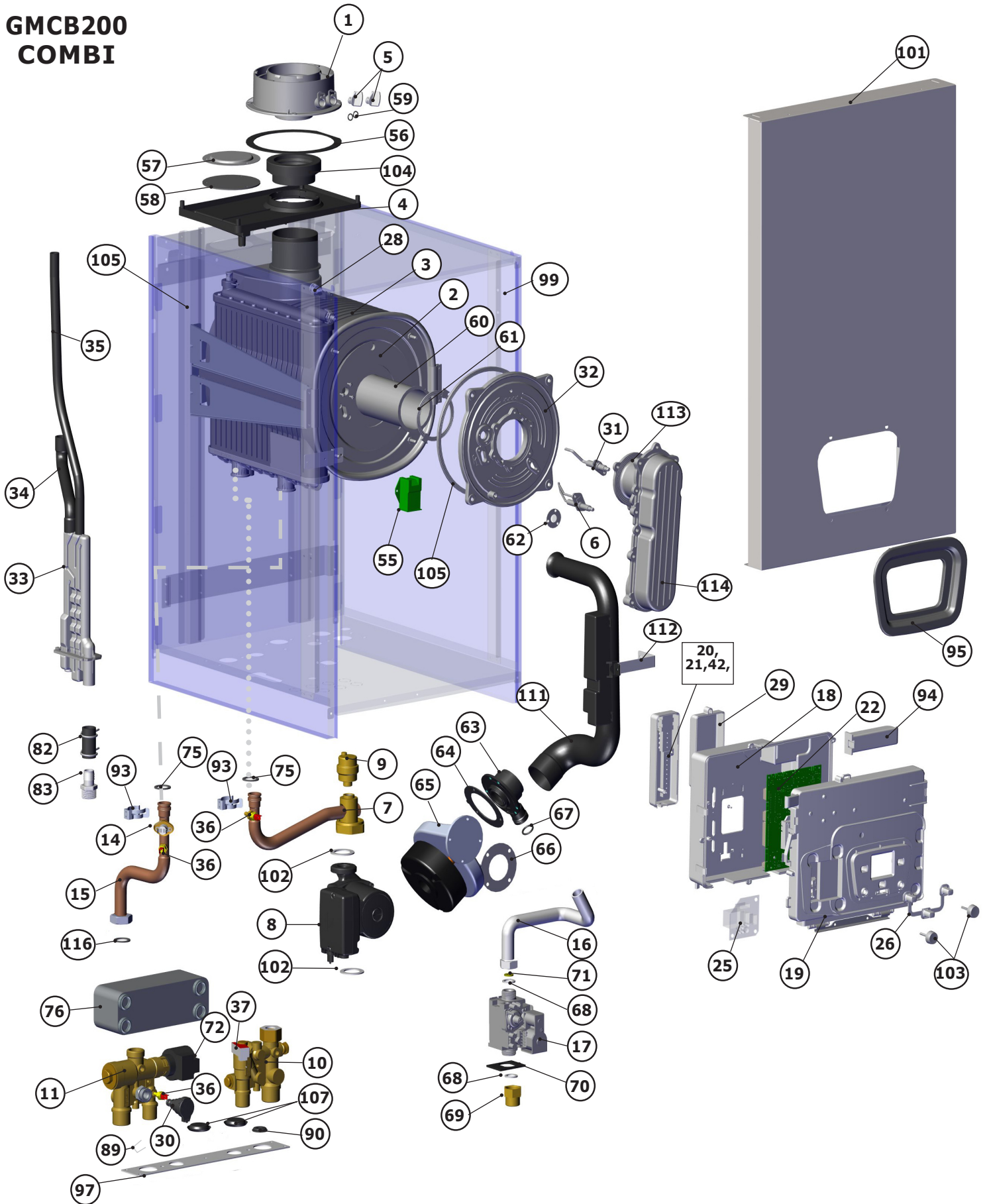
**GMCB150
COMBI**



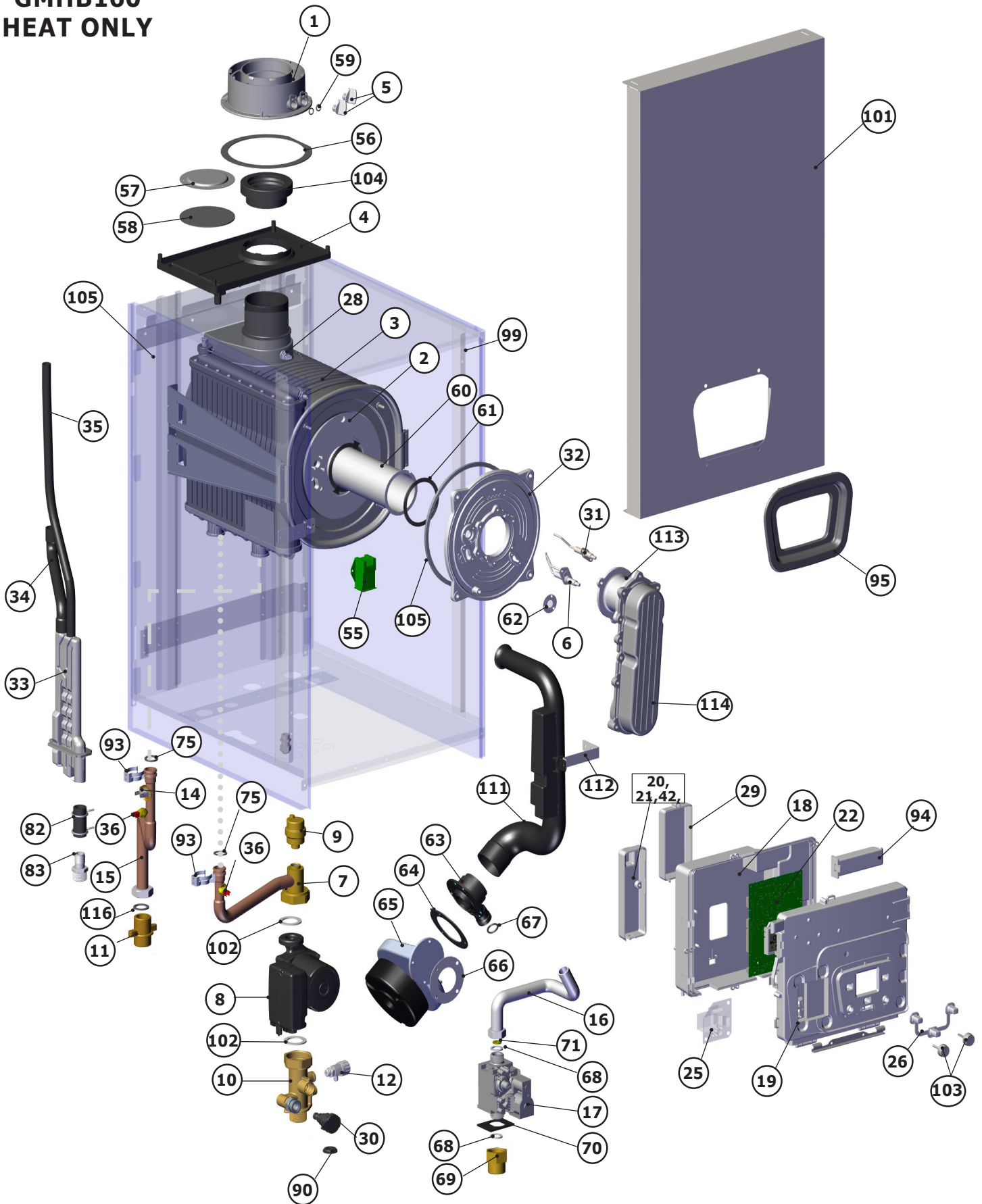
**GMHB125
HEAT ONLY**



**GMCB200
COMBI**



**GMHB160
HEAT ONLY**



PARTS AND ACCESSORIES

ITEM	PART NUMBER	DESCRIPTION	125	150	160	200
1	BD711085102V	FLUE CONNECTION 125/147 <i>(see kit 550003598)</i>	X	X		
	BD000005670522	FLUE CONNECTION 160/200/227 <i>(see kit 550003850)</i>			X	X
2	BD767600801V	HEAT EXCHANGER INSULATION PANEL 125/150	X	X		
	BD767639201V	HEAT EXCHANGER INSULATION PANEL 160/200			X	X
3	550003594	HEAT EXCHANGER 125/150 <i>(see Kit for parts list)</i>	X	X		
	550003593	HEAT EXCHANGER 160/200 <i>(see Kit for parts list)</i>			X	X
4	BD710282302V	TRAY- VENT CONDENSATION 125/150	X	X		
	BD767553501V	TRAY- VENT CONDENSATION 160/200			X	X
5	BD7718578	TEST POINT PLUG SCREW HOLE	X	X	X	X
6	550003495	SPARK IGNITER 125/150/160/200 <i>(see Kit for parts list)</i>	X	X	X	X
7	BD711425802V	PIPE- PUMP TO HEAT EXCHANGER 125/150	X	X		
	BD767944701V	PIPE- PUMP TO HEAT EXCHANGER 160			X	
	BD766949001V	PIPE- PUMP TO HEAT EXCHANGER 200				X
8	BD710786502V	PUMP 125/150	X	X		
	BD722354801V	PUMP 160/200			X	X
9	BD710493600V	AIR VENT 125/150	X	X		
	BD000005652731	AIR VENT 160/200			X	X
10	BD710735501V	RETURN BLOCK ASSY 125	X			
	BD722375602V	RETURN BLOCK ASSY 150		X		
	BD711238101V	RETURN BLOCK ASSY 160			X	
	240012164	RETURN BLOCK ASSY 200				X
11	BD710266901V	SUPPLY 3WV BLOCK 125	X			
	BD7720211	SUPPLY 3WV BLOCK 150		X		
	BD711237001V	SUPPLY 3WV BLOCK 160			X	
	240012165	SUPPLY 3WV BLOCK 200				X
12	BD710188101V	DRAIN TAP 125/150/160	X	X	X	X
*13	VR-001.01	PRESSURE RELIEF SAFETY VALVE	X	X	X	X
14	BD710626001V	HIGH LIMIT TEMP SWITCH	X	X	X	X
15	BD711425902V	SUPPLY PIPE 125/150	X	X		
	BD767944601V	SUPPLY PIPE 160			X	
	BD766948901V	SUPPLY PIPE 200				X
16	BD765774901V	GAS SUPPLY PIPE 125/150	X	X		
	BD769599901V	GAS SUPPLY PIPE 160/200			X	X
17	550003533	GAS VALVE 125/150/160/200 <i>(see Kit for parts list)</i>	X	X	X	X
18	BD711075102V	CONTROL BOX REAR	X	X	X	X
19	BD67927201V	CONTROL BOX FRONT	X	X	X	X
20	BD711075601V	TERMINAL BLOCK COVER	X	X	X	X
21	BD000005688441	5 POSITION TERMINAL BLOCK FOR FUSES	X	X	X	X
22	550003498	CONTROL BOARD REPLACEMENT KIT <i>(see Kit for parts list)</i>	X	X	X	X
*23	BD5405340V	FUSE HOLDER	X	X	X	X
*24	BD8422730V	FUSE, 3.5A 250V	X	X	X	X
25	BD711366901V	120V INTERFACE BOARD WITH CONNECTOR	X	X	X	X
26	BD766861702V	3 BUTTON KEYPAD	X	X	X	X
*27	BD000005643331	GAS SHUTOFF VALVE (3/4")	X	X	X	X
28	BD711180100	NTC FLUE SENSOR	X	X	X	X
29	BD711075801V	CLIP IN COVER- CONTROL BOX	X	X	X	X
30	BD710109101V	WATER PRESSURE SENSOR	X	X	X	X
31	550003496	FLAME SENSOR <i>(see Kit for parts list)</i>	X	X	X	X

* NOT SHOWN

PARTS AND ACCESSORIES

ITEM	PART NUMBER	DESCRIPTION	125	150	160	200
32	550003595	HEAT EXCHANGER DOOR 125/150 <i>(see Kit for parts list)</i>	X	X		
	550003596	HEAT EXCHANGER DOOR 160/200			X	X
33	BD765674901V	CONDENSATION TRAP 125/150/160/200	X	X	X	X
34	BD721727101V	HOSE- HEAT EX TO TRAP 125/150	X	X		
	BD766859301V	HOSE- HEAT EX TO TRAP 160/200			X	X
35	BD722085501V	HOSE- VENT TRAY TO TRAP 125/150	X	X		
	BD766859801V	HOSE- VENT TRAY TO TRAP 160/200			X	X
36	550003737	WATER TEMP SENSOR KIT <i>(see Kit for parts list)</i>		X		X
37	BD710189401V	FLOW DETECTOR 150/200		X		X
*38	BD710117601V	6 POSITION TERMINAL BLOCK	X	X	X	X
*39	109009874	WALL MOUNTING BRACKET 160/200	X	X	X	X
40	BD711085501V	FLUE ADAPTER BRACKET 125/150	X	X		
	BD721583002V	FILLING TAP CAP 125	X	X		
42	BD710117901V	TERMINAL BLOCK 10 POSITION	X	X	X	X
*43	1260006SP	TEMPERATURE / PRESSURE GAGE	X	X	X	X
44	240011392	PLUG- 49MM	X	X		
*45	BD000008417651	POWER CABLE	X	X	X	X
*46	BD710992901V	REMOTE CONTROL HARNESS (2 WIRE)	X	X	X	X
*47	BD768170101V	HARNESS x5 GAS VALVE 125/150	X	X		
	BD768165101V	HARNESS x5 GAS VALVE 160/200			X	X
*48	BD710993901V	HARNESS x22 LOW VOLTAGE SENSORS 125	X			
	BD710993101V	HARNESS x22 LOW VOLTAGE SENSORS 150		X		
	BD768189701V	HARNESS x22 LOW VOLTAGE SENSORS 160			X	
	BD767076201V	HARNESS x22 LOW VOLTAGE SENSORS 200				X
*49	BD710993201V	HARNESS x11 FAN PWM 125/150	X	X		
	BD768348801V	HARNESS x11 FAN PWM 160/200			X	X
*50	BD710993301V	HARNESS X13 POWER - 3WV, FAN, PUMP 125/150	X	X		
	BD768348801V	HARNESS X13 POWER - FAN, PUMP 160			X	X
	BD768348701V	HARNESS X13 POWER - FAN, PUMP 200				X
*51	BD710993405V	HARNESS 24V PCB 125/150/160/200	X	X	X	X
*52	BD710994002V	HARNESS X20 DHW SENSOR/ OUTDOOR 125	X			
	BD710993502V	HARNESS X20 DHW SENSOR/ OUTDOOR 150		X		
	BD768189601V	HARNESS X20 160			X	
	BD767088501V	HARNESS X20 200				X
*53	BD768172601V	HARNESS X37 LIMIT 125/150	X	X		
	BD768243201V	HARNESS X37 LIMIT 160/200			X	X
*54	BD711065801V	HARNESS- FLUE NTC SENSOR	X	X	X	X
55	BD768096501V	IGNITION MODULE 125/150/160/200	X	X	X	X
56	550003158	GASKET: FLUE CONNECTION / CABINET 125/150 <i>(see Kit for parts list)</i>	X	X		
	BD000005410712	GASKET: FLUE CONNECTION / CABINET 160/200			X	X
57	BD710300601V	COVER PLATE: TWIN PIPE VENT KIT	X	X	X	X
58	550003158	GASKET: TWIN PIPE VENT KIT	X	X	X	X
59	BD710107801V	O-RING- TEST PORT KNOBS	X	X	X	X
60	550003493	BURNER KIT 125/150 <i>(see Kit for parts list)</i>	x	x		
	550003494	BURNER KIT 160/200 <i>(see Kit for parts list)</i>			x	x
61	BD764617301V	BURNER GASKET 125/150	x	x		
	BD711408002V	BURNER GASKET 160/200			x	x
62	550003739	SIGHT GLASS KIT	x	x	x	x

* NOT SHOWN

ITEM	PART NUMBER	DESCRIPTION	125	150	160	200
63	BD710069002V	VENTURI 125 / 160	X	X	X	X
64	BD710042401V	GASKET: VENTURI TO FAN	X	X	X	X
65	550003501	FAN: NRG 118 115W <i>(see Kit for parts list)</i>	X	X	X	X
66	BD710115602V	GASKET- FAN TO AIR GAS	X	X	X	X
67	BD710061402V	O-RING- GAS PIPE 18mm X 3mm	X	X	X	X
68	BD710113001V	GASKET, G3/4 17X24X2	X	X	X	X
69	BD722270601V	ADAPTER G3/4 X 3/4NPT	X	X	X	
70	BD710390601V	GASKET, GAS VALVE TO CABINET	X	X	X	X
71	BD710065901V	GAS NOZZLE, 6.0 MM, NAT GAS	X	X		
	BD710215901V	GAS NOZZLE, 6.6 MM, NAT GAS			X	
	BD722363401V	GAS NOZZLE, 7.4 MM, NAT GAS				X
	BD720215502V	GAS NOZZLE, 4.6 MM, LP GAS	X	X		
	BD710215602V	GAS NOZZLE, 5.0 MM, LP GAS			X	
	BD710215702V	GAS NOZZLE, 5.4 MM, LP GAS				X
72	550003738	3WV MOTOR ELBI (125) KIT (150) <i>(see Kit for parts list)</i>	X	X		
	550003744	3WV MOTOR 160 KIT <i>(see Kit for parts list)</i>				X
73	BD710188501V	3WV CLIP	X	X		X
75	BD000005411331	O-RING 20,24X2,62	X	X		
76	550003736	DHW HEAT EXCHANGER KIT 150 <i>(see Kit for parts list)</i>		X		
	550003742	DHW HEAT EXCHANGER KIT 200 <i>(see Kit for parts list)</i>				X
77	BD5404520	BD,DHW PLATE EXCHANGER GASKET				X
	BD722275601V	BD,O-RING 18.3X3.6 R15-		X		
*78	BD710189001V	GASKET 9.7 X 15 X 2mm		X		X
79	240012098	ADPTR,3/4" BSPP,FEM TO 1" NPT MALE	X	X		
80	BD710113601V	BD,GASKET G1/2	X	X		
81	240012097	ADPTR,1/2" BSPP,FEM TO 3/4" NPT MALE		X		
82	240011904	HOSE, CONDENSATION CONNECTION	X	X	X	X
83	240008838	CONDENSATION CONNECTION BARB X 3/4NPT	X	X	X	X
84	BD000005201351	CAP, BRASS THREADED G1/2	X			
85	BD710267101V	CAP, BRASS THREADED G3/4	X			
86	BD710267001V	BYPASS PIPE, 125B	X			
87	BD710108401V	O-RING 11.9 X 2.6 mm	X			
*88	BD710188701V	CLIP, BYPASS PIPE	X			
89	BD710188902V	CLIP, PRESSURE SENSOR	X	X	X	X
90	BD710189602V	PLUG, 28MM	X	X	X	X
91	BD711449901V	PLUG, 35MM	X	X		
92	BD710117301V	STRAIN RELIEF	X	X		
93	BD721623501V	CLIP- PIPES TO HEAT EXCHANGER	X	X	X	X
94	BD711075501V	CONTROL PANEL SUPPORT ARM	X	X	X	X
95	240011307	BEZEL	X	X	X	X
96	BD710963001V	ORING- PUMP PIPE	X	X		
97	BD769645401V	GASKET- HYDROBLOCK				X
99	550003489	RIGHT SIDE PANEL KIT 125/150 (INCLUDES INSULATION)	X	X		
	550003491	RIGHT SIDE PANEL KIT 160/200 (INCLUDES INSULATION)			X	X
100	550003490	LEFT SIDE PANEL KIT 125/150 (INCLUDES INSULATION)	X	X		
	550003492	LEFT SIDE PANEL KIT 160/200 (INCLUDES INSULATION)			X	X
101	550003487	FRONT COVER ASSEMBLY (INCLUDES INSULATION/BEZEL/NUTS)	X	X	X	X
102	BD000005402141	GASKET, G1-1/2			X	X

* NOT SHOWN

ITEM	PART NUMBER	DESCRIPTION	125	150	160	200
103	BD766937701V	CONTROL KNOBS	X	X	X	X
104	BD767373901V	CONDENSATE TRAY SEAL			X	X
105	BD710111502V	COMBUSTION CHAMBER GASKET 125/150	X	X		
	BD722003801V	COMBUSTION CHAMBER GASKET 160/200			X	X
*106	BD711145501V	IGNITION CABLE	X	X	X	X
*107	BD710127501V	FLAME SENSE CABLE	X	X	X	X
108	BD722143801V	TEMPERATURE SENSOR CLIP ON 125/150	X	X		
109	BD710107401V	60MM FLUE GASKET	X	X		
110	BD710107101V	100MM FLUE GASKET	X	X		
111	BD710088403V	SILENCER ASSEMBLY 125/150	X	X		
	BD770126501V	SILENCER ASSEMBLY 160/200			X	X
112	109010138	SILENCER BRACKET 160/200			X	X
113	BD00000521292	SPACER EXTENSION			X	X
114	BD711187501V	AIR, GAS MANIFOLD			X	X
*115	550003523	SERVICE KEY (<i>see Kit for parts list</i>)	X	X	X	X
*116	BD000005405001	GASKET , G1 22X30.2X2			X	X
*117	BD000005212781	SEAL, FBRGL, ROPE			X	X
*118	BD710114502V	GASKET BURNER SPACER EXT.			X	X
*119	BD710283700	HEAT EXCHANGER REAR INSULATION	X	X	X	X
*120	BD767486200	INLET FILTER 150		X		
*121	240012782	INLET FILTER 200				X

* NOT SHOWN

HYDRONIC -KIT COMPONENTS

KIT 550003742 - DHW PLATE REPLACEMENT KIT WITH GASKET

ITEM	PN	DESCRIPTION	QTY	125	150	160	200
76	240012161	FLAT PLATE HEAT EXCHANGER : PTP EXCHANGER SEPE6TH 26P	1				●
77	BD5404520	BD,DHW PLATE EXCHANGER GASKET	4				●
NS	240012350	INST,RPLMT,DHW PLT	1				●

KIT 550003736 - DHW PLATE REPLACEMENT KIT WITH GASKETS

ITEM	PN	DESCRIPTION	QTY	125	150	160	200
76	BD711612501V	DHW PLATE EXCHANGER 20 PLATES	1		●		
77	BD722275601V	DHW PLATE EXCHANGER O-RING	4		●		
NS	240012350	INST,RPLMT,DHW PLT,MAC/H,DCC/B	1		●		

KIT 550003738 - 3 WAY VALVE MOTOR REPLACEMENT - KIT INCLUDES:

ITEM	PN	DESCRIPTION	QTY	125	150	160	200
72	BD000005696391	3 WAY VALVE MOTOR 120V	1	●	●		
73	240012163	CLIP FOR MOTOR	1	●	●		
NS	240012668	INSTRUCTIONS	1	●	●		

KIT 550003744- 3 WAY VALVE MOTOR REPLACEMENT - KIT INCLUDES:

ITEM	PN	DESCRIPTION	QTY	125	150	160	200
72	240012162	3WV MOTOR 110V 160C	1				●
73	240012163	CLIP FOR MOTOR	1				●
NS	240012684	INSTRUCTIONS	1				●

KIT 550003737 - WATER TEMPERATURE SENSOR REPLACEMENT KIT - INCLUDES:

ITEM	PN	DESCRIPTION	QTY	125	150	160	200
36	BD710831501V	NTC SENSOR HONEYWELL-S011026	1		●	●	●
NS	BD710189001V	GASKET 9,7X15X2	1		●	●	●
NS	240012475	INST,SNSR,H2O TEMP	1		●	●	●

NS = NOT SHOWN

BURNER/IGNITER/FLAME SENSE/ GAS VALVE - KIT COMPONENTS

KIT 550003493 - BURNER REPLACEMENT KIT - INCLUDES:

ITEM	PN	DESCRIPTION	QTY	125	150	160	200
60	BD765977401V	BURNER	1	●	●		
61	BD764617301V	GASKET, BURNER, ASSY	1	●	●		
2	BD767600801V	INSULATION PANEL BURNER DOOR	1	●	●		
105	BD710111502V	COMBUSTION CHAMBER GASKET	1	●	●		
NS	240012185	INSTRUCTION	1	●	●		

KIT 550003494 - BURNER REPLACEMENT KIT - INCLUDES:

ITEM	PN	DESCRIPTION	QTY	125	150	160	200
60	BD710401801V	BURNER	1			●	●
61	BD711408002V	GASKET, BURNER, ASSY	2			●	●
NS	BD710113001V	GASKET G3/4 17X24X2 (227 ONLY)	1				
NS	BD7101114502V	GASKET BURNER, SPACER/EXT	1			●	●
NS	240012185	INSTRUCTION	1			●	●

KIT 550003495 - IGNITION ELECTRODE REPLACEMENT KIT

ITEM	PN	DESCRIPTION	QTY	125	150	160	200
6	BD711010702V	ELECTRODE IGNITION	1	●	●	●	●
NS	BD710185302V	GSKT,IGN,PEN	1	●	●	●	●
NS	240012293	WRENCH, HEX 3MM	1	●	●	●	●
NS	240012186	INSTRUCTION	1	●	●	●	●

KIT 550003496 - FLAME SENSOR REPLACEMENT KIT

ITEM	PN	DESCRIPTION	QTY	125	150	160	200
31	BD711010802V	FLAME SENSOR,B&P	1	●	●	●	●
NS	BD710185201V	FLAME SENSING ELECTRIC GASKET	1	●	●	●	●
NS	240012293	WRENCH, HEX 3MM	1	●	●	●	●
NS	240012187	INSTRUCTION	1	●	●	●	●

KIT 550003533 - GAS VALVE REPLACEMENT KIT

ITEM	PN	DESCRIPTION	QTY	125	150	160	200
17	BD721613001V	GAS VALVE 848	1	●	●	●	●
68	BD710113001V	GASKET G3/4 17X24X2	2	●	●	●	●
NS	240012258	INSTRUCTION	1	●	●	●	●

NS = NOT SHOWN

FAN MIXER / ELECTRONIC KIT COMPONENTS/ DHW SENSOR KIT COMPONENTS

KIT 550003501 - REPLACEMENT, FAN - KIT INLCUDES:							
ITEM	PN	DESCRIPTION	QTY	125	150	160	200
65	BD769577901V	FAN NRG 118 115W 120V	1	●	●	●	●
64	BD710042401V	VENTURI GASKET TO FAN	1	●	●	●	●
66	BD710115601V	GASKET, VENTURI TO AIR/GAS DUCT	1	●	●	●	●
NS	BD710011401V	CLIP - FIXING GAS PIPE	1	●	●	●	●
67	BD710061402V	O-RING 18X3 NBR	2	●	●	●	●
NS	BD710114502V	GSKT,BNR,SPCR/EXT (160/200)	1			●	●
NS	240012188	INSTRUCTIONS	1	●	●	●	●

KIT 550003608- REPLACEMENT, EXT AIR GAS COLLECTOR - KIT INLCUDES:							
ITEM	PN	DESCRIPTION	QTY	125	150	160	200
113	BD000005212922	SPACER EXTENSION	1			●	●
NS	BD721543101V	VENTURI GASKET TO FAN	1			●	●
68	BD710113001V	GASKET G3/4 17X24X2 (NOT USED ON 160/200)	1				
61	BD711408002V	BURNER GASKET	1			●	●
NS	BD710114502V	GSKT,BNR,SPCR/EXT (160/200)	1			●	●
NS	240012421	INSTRUCTIONS	1			●	●

KIT 550003523 - SERVICE KEY REPLACEMENT KIT - INCLUDES:							
ITEM	PN	DESCRIPTION	QTY	125	150	160	200
115	BD710707701N	SERVICE KEY	1	●	●	●	●
NS	240012189	INST,KIT,CTRL RPLMT	1	●	●	●	●

KIT 550003498- PCB /CONTROL REPLACEMENT KIT - INCLUDES:							
ITEM	PN	DESCRIPTION	QTY	125	150	160	200
22	BD768191801V	PCB,B&P,HAGC03-BX04,LESS SVC KEY	1	●	●	●	●
NS	240012189	INST,KIT,CTRL RPLMT	1	●	●	●	●

KIT 550003741 - DHW SENSOR REPLACEMENT KIT FOR INDIRECT STORAGE TANK - INCLUDES:							
ITEM	PN	DESCRIPTION	QTY	125	150	160	200
NS	KHG714076810	KIT,DHW,SENSOR	1	●			
NS	240008013	CLIP,MTG,HW,32002656	1	●			
NS	240010821	THERMOPASTE,1OZ	1	●			
NS	240012681	INST,KIT,DHW,SNSR,TANK	1	●			

NS - NOT SHOWN

FLUE CONNECTION / DHW SENSOR KIT COMPONENTS

KIT 550003598 - FLUE CONNECTION REPLACEMENT - KIT INCLUDES:

ITEM	PN	DESCRIPTION	QTY	125	150	160	200
1	BD711085101V	FLUE ADAPTER	1	●	●		
56	BD710107601V	GASKET ADAPTER (FLUE)	1	●	●		
109	BD710107401V	SEAL D.60 FLUE ADAPTER	1	●	●		
110	BD710107101V	SEAL D100 FLUE ADAPTER	1	●	●		
5	BD7718578	TEST PORT PLUG SCREW HOLE	2	●	●		
59	BD710107801V	TEST PORT O-RING	2	●	●		
NS	240011378	LABLE, TEST, POINT	1	●	●		
NS	240012403	INSTRUCTIONS, REPLACEMENT FLUE, CONN	1	●	●		

KIT 550003852 - FLUE ASSEMBLY GASKET REPLACEMENT - KIT INCLUDES:

ITEM	PN	DESCRIPTION	QTY	125	150	160	200
56	BD710107601V	GASKET ADAPTER (FLUE)	1	●	●		
109	BD710107401V	SEAL D.60 FLUE ADAPTER	1	●	●		
110	BD710107101V	SEAL D100 FLUE ADAPTER	1	●	●		
59	BD710107801V	TEST PORT O-RING 8,73X1,78	2	●	●		
57	BD710300601V	COVER PLATE, TWIN IPE	1	●	●		
58	BD710784801V	GASKET COVER PLATE	1	●	●		
NS	240012403	INSTRUCTIONS, REPLACEMENT FLUE, CONN	1	●	●		

KIT 550003850 - FLUE ASSEMBLY REPLACEMENT - KIT INCLUDES:

ITEM	PN	DESCRIPTION	QTY	125	150	160	200
1	BD000005670522	FLUE ADAPTER ASSEMBLY	1			●	●
56	BD000005410712	GASKET, FLUE ADAPTER TO CABINET	1			●	●
5	BD7718578	TEST PORT PLUG SCREW HOLE	2			●	●
NS	BD710107801V	TEST PORT O-RING	2			●	●
NS	240012833	INSTRUCTIONS, REPLACEMENT FLUE, CONN	1			●	●

KIT 550003849 - FLUE CONNECTION GASKET REPLACEMENT - KIT INCLUDES:

ITEM	PN	DESCRIPTION	QTY	125	150	160	200
56	BD000005410712	GASKET ADAPTER (FLUE)	1			●	●
NS	BD5410850	FLUE GASKET 80MM	1			●	●
NS	BD5410860	FLUE GASKET 125MM	1			●	●
NS	BD5410870	SEALING GASKET TOP 80MM	1			●	●
57	BD710300601V	COVER PLATE, TWIN PIPE	1			●	●
58	BD7107814801V	GASKET COVER PLT, TWIN PIPE	1			●	●
59	BD710107801V	TEST PORT O-RING	2			●	●
NS	240012833	INSTRUCTIONS, REPLACEMENT FLUE, CONN	1			●	●

NS = NOT SHOWN

HEAT EXCHANGER KIT COMPONENTS

KIT 550003740 - HEAT EXCHANGER GASKET REPLACEMENT - KIT INCLUDES:

ITEM	PN	DESCRIPTION	QTY	125	150	160	200
105	BD710111502V	COMBUSTION CHAMBER GASKET	1	●	●		
32	BD767077601V	SEAL FOR COMBUSTION CHAMBER DOOR	1	●	●		
NS	BD710108001V	SEAL D.60 - SUMP	1	●	●		
NS	BD767373901V	GASKET (WATER TRAY TO HEAT EXCHANGER)	1	●	●		
56	BD710107601V	FLUE ADAPTER GASKET	1	●	●		
NS	240012670	INSTRUCTIONS	1	●	●		

KIT 550003743- HEAT EXCHANGER GASKET REPLACEMENT - KIT INCLUDES:

ITEM	PN	DESCRIPTION	QTY	125	150	160	200
105	BD722003801V	COMBUSTION CHAMBER GASKET	1			●	●
104	BD767373901V	CONDENSATE TRAY SEAL	1			●	●
NS	BD000005411030	GASKET (WATER TRAY TO HEAT EXCHANGER)	1			●	●
56	BD000005410712	GASKET, FLUE ADAPTER TO CABINET	1			●	●
NS	240012683	INSTRUCTIONS	1			●	●

KIT 550003595 - HEAT EXCHANGER DOOR REPLACEMENT - KIT INLCUDES:

ITEM	PN	DESCRIPTION	QTY	125	150	160	200
32	BD767077601V	HX DOOR 125/150	1	●	●		
105	BD710111502V	COMBUSTION CHAMBER GASKET	1	●	●		
NS	BD710185302V	GASKET IGNITER	1	●	●		
NS	BD710185201V	FLAME SENSING ELEC GASKET	1	●	●		
NS	BD710112202V	SIGHT GLASS GASKET	1	●	●		
2	BD767600801V	BURNER DOOR PANEL INSULATION	1	●	●		
NS	BD710115602V	VENTRUI GASKET	1	●	●		
NS	BD764617301V	BURNER GASKET	1	●	●		
NS	240012417	INSTRUCTIONS	1	●	●		

KIT 550003596- HEAT EXCHANGER DOOR REPLACEMENT - KIT INLCUDES:

ITEM	PN	DESCRIPTION	QTY	125	150	160	200
32	BD766847401V	HX DOOR 160/200	1			●	●
105	BD722003801V	COMBUSTION CHAMBER GASKET	1			●	●
NS	BD710185302V	GASKET INGITER	1			●	●
NS	BD710185201V	FLAME SENSING ELEC GASKET	1			●	●
NS	BD710112202V	SIGHT GLASS GASKET	1			●	●
2	BD767639201V	BURNER DOOR PANEL INSULATION	1			●	●
61	BD711408002V	BURNER GASKET	1			●	●
NS	BD000005212781	ROPE GASKET	1			●	●
NS	BD711427701V	T-STAT SFTY 260°C	1			●	●
68	BD710113001V	GASKET, G 3/4 17X24X2 (NOT USED ON 160/200)	1				
NS	BD710114502V	GSKET,BNR,SPCR/EXTN	1			●	●
NS	240012418	INSTRUCTIONS	1			●	●

NS - NOT SHOWN

HEAT EXCHANGER KIT COMPONENTS

KIT 550003594 - REPLACEMENT, HEAT EXCHANGER - KIT INLCUDES:							
ITEM	PN	DESCRIPTION	QTY	125	150	160	200
3	BD767801401V	HEAT EXCHANGER 122/147	1	●	●		
105	BD710111502V	COMBUSTION CHAMBER GASKET	1	●	●		
75	BD000005411331	O-RING 20, 24X2,62	2	●	●		
NS	BD710108001V	SEAL D.60 SUMP	1	●	●		
56	BD710107601V	FLUE ADAPTER GASKET	1	●	●		
NS	240012416	INSTRUCTIONS	1	●	●		

KIT 550003593 - HEAT EXCHANGER REPLACEMENT - KIT INLCUDES:							
ITEM	PN	DESCRIPTION	QTY	125	150	160	200
3	BD767801501V	EXCHANGER SERMETA 5-1-3	1			●	●
105	BD722003801V	SEAL HX DOOR, FRONT	1			●	●
56	BD000005410712	SEAL FLUE ADAPTER	1			●	●
104	BD767373901V	SEAL COND TRAY	1			●	●
68	BD710113001V	GASKET G3/4 17X24X2 (NOT USED ON 160/200)	1				
75	BD000005411331	O-RING 20, 24X2,6	2			●	●
28	BD711180100	NTC FLUE SENSOR	1			●	●
116	BD000005405001	GASKET, GI 22X303X2 WRC	1			●	●
102	BD000005402141	PUMP GASKET GI 1/2,44X30X2M	1			●	●
NS	BD000005212781	ROPE GASKET	1			●	●
NS	240012415	INSTRUCTIONS	1			●	●

KIT 550003602 - HEAT EXCHANGER CLEANING - KIT INLCUDES:							
ITEM	PN	DESCRIPTION	QTY	125	150	160	200
105	BD710111502V	COMBUSTION CHAMBER GASKET	1	●	●		
NS	240011636	GLOVE, LATEX, BLK, LRG, S-19810	4	●	●		
NS	240011637	SHLD,HTX,CLNG	1	●	●		
NS	240011639	BAG,POLY,12"X26",2MIL,S-5779	4	●	●		
NS	240011640	BRUSH,2"X3",W/HANDLE,1" STIFF BRISTLE	1	●	●		
NS	240012410	INSTRUCTIONS	1	●	●		

KIT 550003604 - HEAT EXCHANGER CLEANING - KIT INLCUDES:							
ITEM	PN	DESCRIPTION	QTY	125	150	160	200
105	BD722003801V	SEAL,HTX, DOOR	1			●	●
NS	240011636	GLOVE, LATEX, BLK, LRG, S-19810	4			●	●
NS	240011637	SHLD,HTX,CLNG	1			●	●
NS	240011639	BAG,POLY,12"X26",2MIL,S-5779	4			●	●
NS	240011640	BRUSH,2"X3",W/HANDLE,1" STIFF BRISTLE	1			●	●
NS	240012412	INSTRUCTIONS	1			●	●

NS - NOT SHOWN



2201 DWYER AVENUE, UTICA, NY 13501

TEL. 800 253 7900

WWW.ECRINTERNATIONAL.COM

ALL SPECIFICATIONS SUBJECT TO CHANGE WITHOUT NOTICE.

©2020 ECR INTERNATIONAL, INC.