



## **GMOW SERIES**

**OIL FIRED  
CAST IRON  
WATER BOILER**

### **Models**

**GMOW-3085(T)  
GMOW-3100(T)  
GMOW-4100(T)  
GMOW-4125(T)  
GMOW-4145(T)  
GMOW-5160(T)  
GMOW-5185(T)  
GMOW-6185(T)  
GMOW-6210(T)**

### **PARTS AND OPTIONAL ACCESSORIES**

Ordering Instructions:

Order Parts through your nearest supplier.

When ordering parts, obtain Model Number and Serial Number from data plate on your boiler.

Include following information when ordering.

Part Number\_\_\_\_\_

Part Description\_\_\_\_\_

Boiler Model Number\_\_\_\_\_

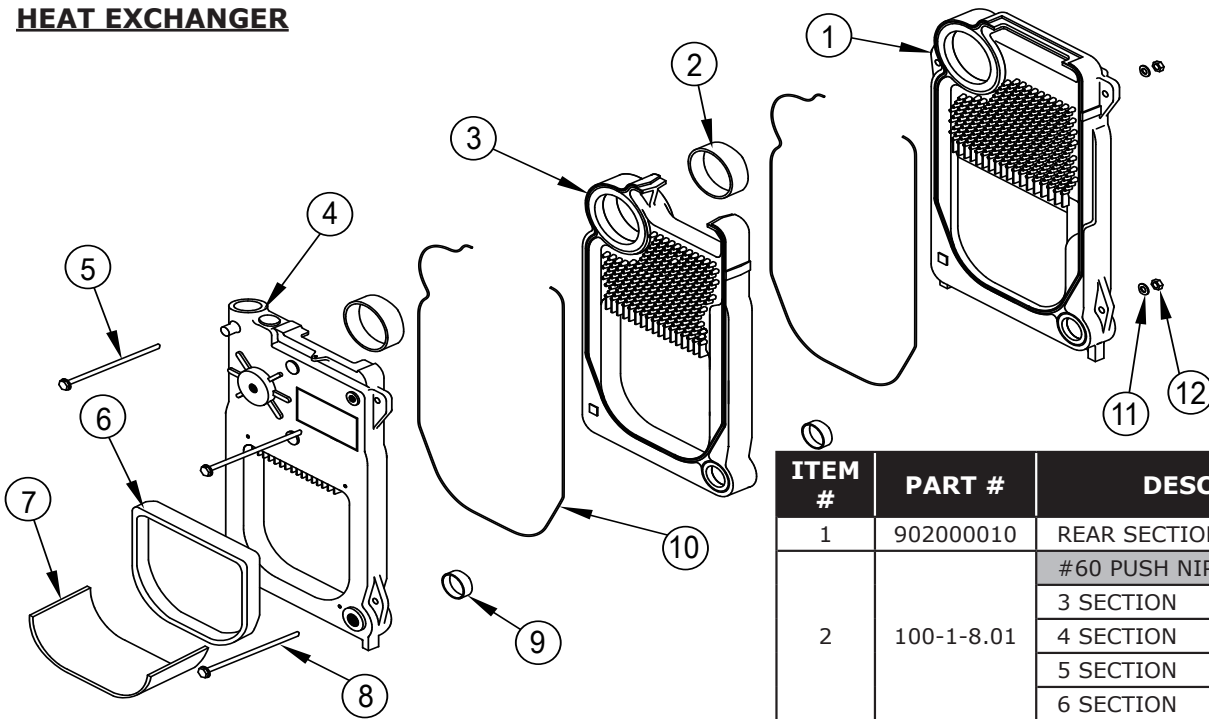
Boiler Serial Number\_\_\_\_\_



Manufactured by:  
ECR International Inc.  
2201 Dwyer Avenue, Utica, NY 13501  
Tel. 800 253 7900  
[www.ecrinternational.com](http://www.ecrinternational.com)  
PN 240012631 REV. B [08/18/2020]

# REPLACEMENT PARTS

## HEAT EXCHANGER



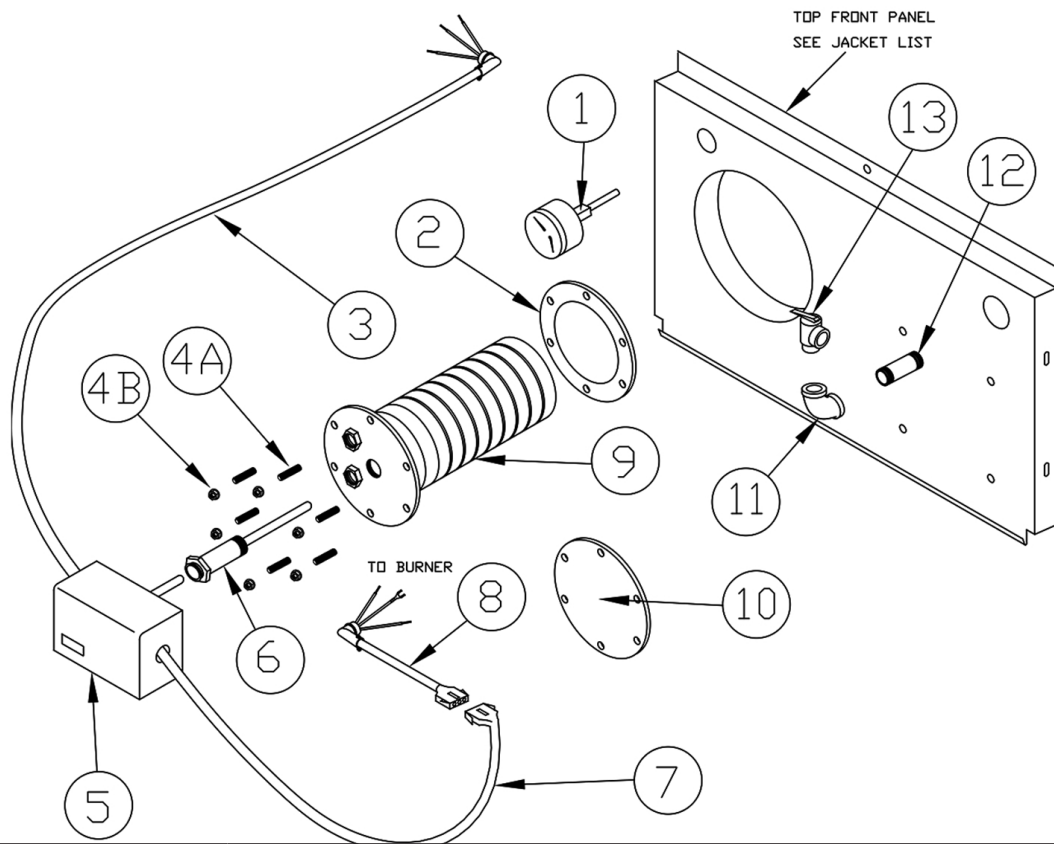
FULLY ASSEMBLED HEAT EXCHANGERS	
912000039	3 SECT. TNKLS W/O COIL
912000043	4 SECT. TNKLS W/O COIL
912000047	5 SECT. TNKLS W/O COIL
912000051	6 SECT. TNKLS W/O COIL
912000040	3 SECT. WITH TANKLESS COIL
912000044	4 SECT. WITH TANKLESS COIL
912000048	5 SECT. WITH TANKLESS COIL
912000052	6 SECT. WITH TANKLESS COIL
912000038	3 SEC. WITH CAST OVER
912000042	4 SEC. WITH CAST OVER
912000046	5 SEC. WITH CAST OVER
912000050	6 SEC. WITH CAST OVER

ITEM #	PART #	DESCRIPTION	QTY
1	902000010	REAR SECTION	1
2	100-1-8.01	#60 PUSH NIPPLE	
		3 SECTION	2
		4 SECTION	3
		5 SECTION	4
		6 SECTION	5
3	902000009	CENTER SECTION	
		3 SECTION	1
		4 SECTION	2
		5 SECTION	3
4	902000007	FRONT SECT. CASTOVER	1
	902000008	FRONT SECT. TANKLESS COIL	
5	HW02510	TIE ROD 1/2 X 10 5/8 (3 SEC)	2
	HW02511	TIE ROD 1/2 X 14 1/4 (4 SEC)	
	HW02512	TIE ROD 1/2 X 17 7/8 (5 SEC)	
	HW02514	TIE ROD 1/2 X 21 3/4 (6 SEC)	
6	2552701	TARGET WALL	1
7	25511001	INSUL BLANKET 6.25X24 (3 SEC)	1
	25511002	INSUL BLANKET 8.5X16 (4 SEC)	
	2551803	INSUL BLANKET 13X16 (5 SEC)	
	25511005	INSUL BLANKET 24X16 (6 SEC)	

8	HW-025.01	TIE ROD 1/2 X 12 1/2 (4 SEC)	1
	HW-025.02	TIE ROD 1/2 X 16 1/2 (5 SEC)	
	HW-025.03	TIE ROD 1/2 X 20 1/2 (6 SEC)	
	HW-025.05	TIE ROD 1/2 X 9 (3 SEC)	
9	100-1-5.01	#22 PUSH NIPPLE	
		3 SECTION	2
		4 SECTION	3
		5 SECTION	4
		6 SECTION	5
10	3002172	ROPE MED DENSITY	
		3 SECTION	2
		4 SECTION	3
		5 SECTION	4
11	HW-008.03	WASHER 1/2 ID FLAT	3
12	HW-003.05	NUT 1/2-13 HEX HEAD	3

## REPLACEMENT PARTS

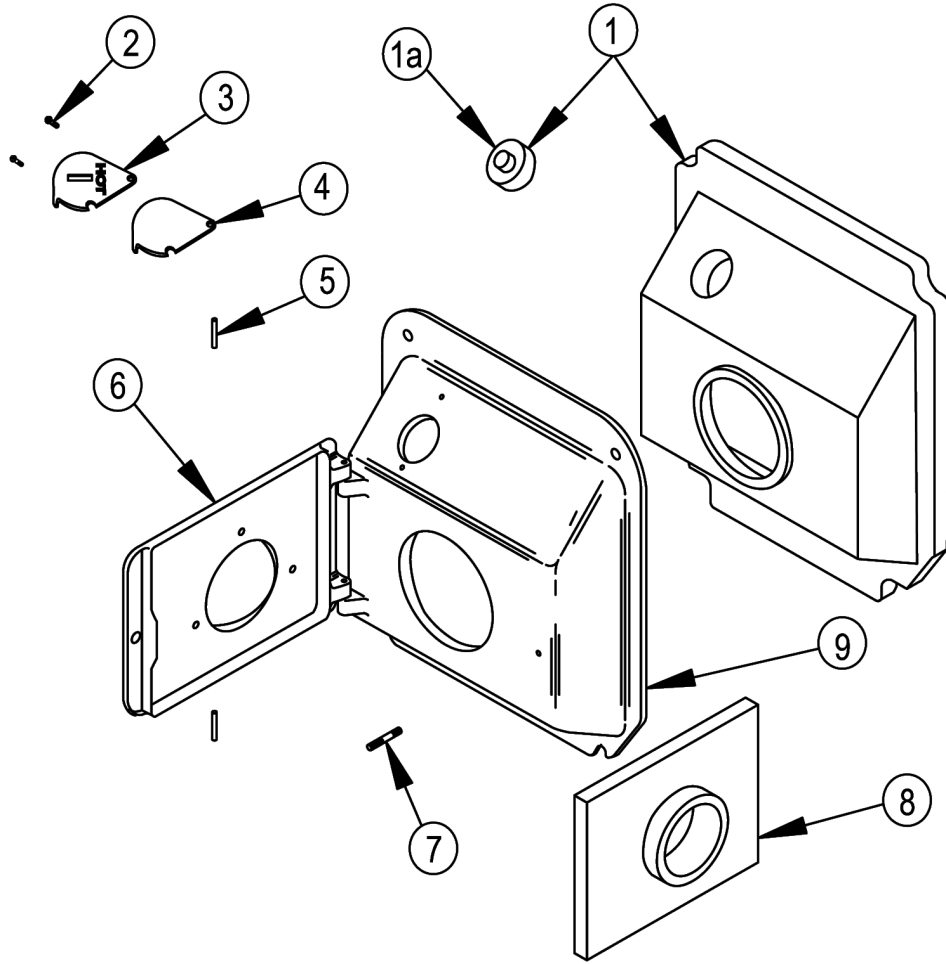
### COIL



ITEM	PART NO.	DESCRIPTION	QTY
1	1260006	TEMPERATURE - PRESSURE GAUGE	1
2	240007072	GASKET - GARLOCK 3760	1
3	37519501	HARNESS CIRCULATOR 72"	1
4A	14695113	STUD 18-8 STL, 3/8"-16 X 1-1/2"	6
4B	1330008	NUT ST STL, SERRATED HEX WASHER HEAD, 3/8"-16	6
5	240010867	HYDROLEVEL, 3250 WITH TEMP LIMIT, LWCO, W/SENSOR	1
	240009989	REPLACEMENT SENSOR ONLY FOR HYDROLEVEL 3250	1
6	240009115	WELL, HYDROSTAT 3250	1
7	2851401	HARNESS CTRL BOX (BECKETT BURNERS AND RIELLO F10 BURNERS)	1
	28511801	HARNESS , CTRL BOX (RIELLO F5 & Carlin EZ-1/2 BURNERS)	1
8	1263011	HARNESS, BURNER (RIELLO F5)	1
	2851801	HARNESS, BURNER (RIELLO F10)	1
	240010425	HARNESS, BURNER (BECKETT AFG, & Carlin EZ-1/2 INCLUDED WITH BURNER)	1
9	550003611	TANKLESS COIL KIT P3 (FOR 3 SECTION BOILERS)	1
	550003612	TANKLESS COIL KIT T4 (4, 5 & 6 SECT. BOILERS)	1
<b>(ABOVE KITS INCLUDE ITEM NOS. 2, 4 AND THE APPROPRIATE COIL)</b>			
10	27511401	TANKLESS - COVER KIT	1
		(KIT INCLUDES ITEM NOS. 2, 4 AND COVER PLATE)	1
11	1190001	PIPE FIT ELBOW 3/4" NPT	1
12	1310001	PIPE FIT - NPL 3/4" X 4" NPT	1
13	VR-001.01	SAFETY RELIEF VALVE 30#, CONBRACO 16-407-05	1
NOT SHOWN	550001908	GASKET REPLACEMENT KIT (INCLUDES ITEMS #2 & #4)	1

## REPLACEMENT PARTS

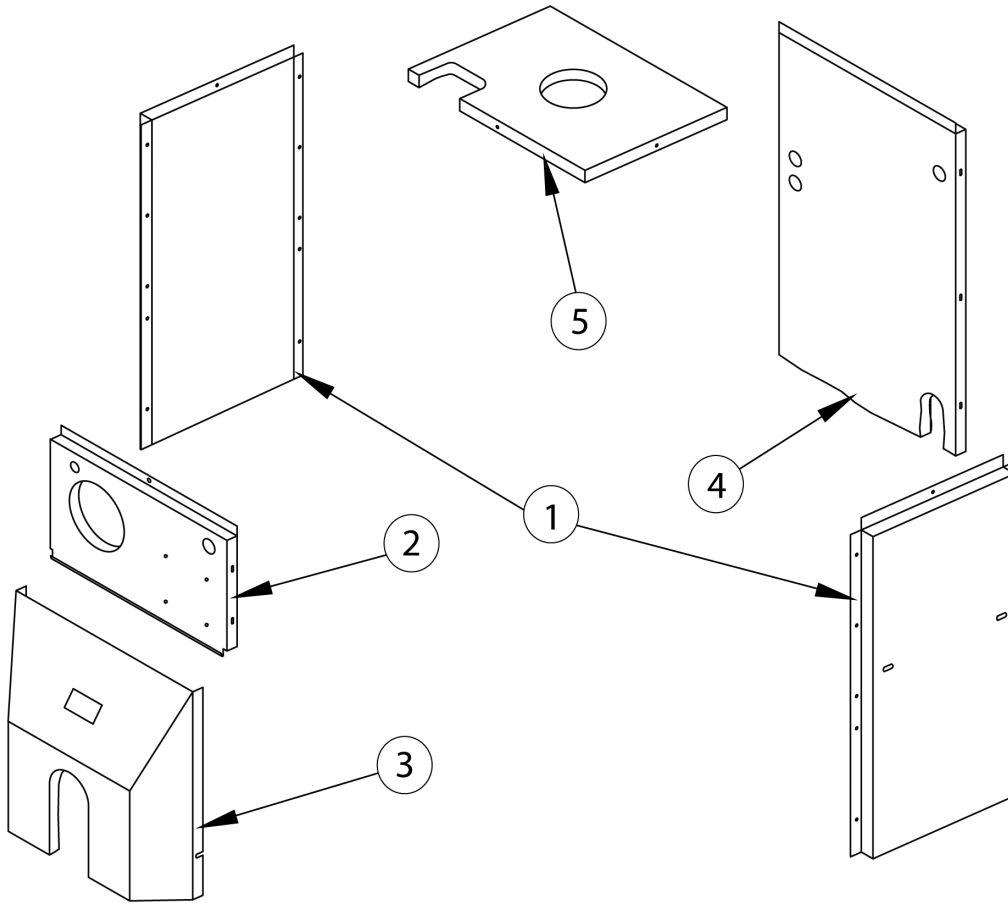
### SWING DOOR AND MOUNTING DOOR COMPONENTS



ITEM #	PART #	DESCRIPTION	QTY
1	2552901	MOUNTING DOOR INSULATION & PLUG	1
2	HW-005.01	SCREW 1/4-20X1/2 SELF TAPPING	2
3	10011701	OBSERVATION DOOR	1
4	25511101	OBS. DOOR GASKET	1
5	HW06801	1/4X1.3/4 DRIVE LOCK PIN	2
6	10011501	SWING DOOR	1
7	HW06701	5/16X18X2.3/8 STUD	1
8	2553303	INSULATION-SWING DOOR (BECKETT & CARLIN BURNERS)	1
	2553301	INSULATION-SWING DOOR (RIELLO BURNERS)	1
9	10011301	MOUNTING DOOR	1

## REPLACEMENT PARTS

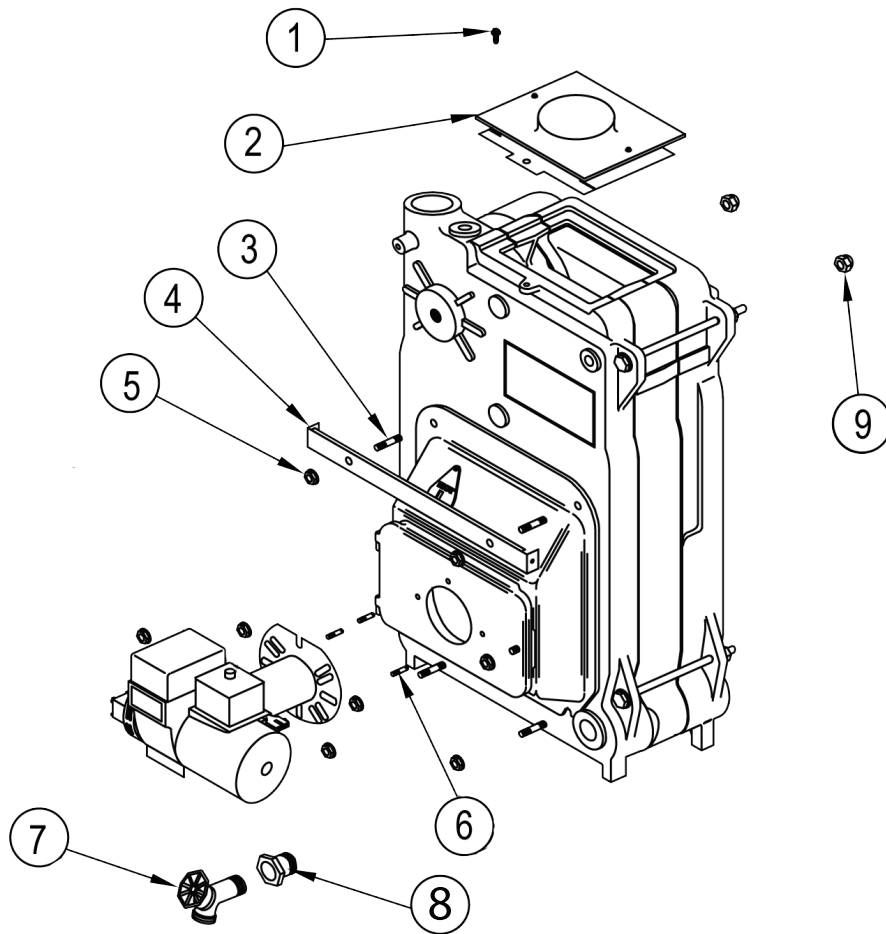
### JACKET



ITEM #	PART #	DESCRIPTION	QTY
1	21521802	SIDE PANEL 3 SECTION	2
	21521803	SIDE PANEL 4 SECTION	
	21521804	SIDE PANEL 5 SECTION	
	21521805	SIDE PANEL 6 SECTION	
2	109010128	TOP FRONT PANEL CASTOVER	1
	109010129	TOP FRONT PANEL TNKLS COIL (SHOWN)	
3	109010134	LOWER COWL	1
4	21521502	REAR PANEL	1
5	109010130	TOP PANEL 3 SECTION	1
	109010131	TOP PANEL 4 SECTION	
	109010132	TOP PANEL 5 SECTION	
	109010133	TOP PANEL 6 SECTION	

## REPLACEMENT PARTS

### HARDWARE



ITEM #	PART #	DESCRIPTION	QTY
1	HW-005.01	SCREW 1/4-20X1/2 SELF TAP	1
2	2452902	FLUE COLLECTOR ASSY (4 SECT)	1
	2452903	FLUE COLLECTOR ASSY (5 SECT)	
	2452906	FLUE COLLECTOR ASSY (3 SECT)	
	2452907	FLUE COLLECTOR ASSY (6 SECT)	
3	HW06701	STUD 5/16"-18 X 2 <sup>3</sup> / <sub>8</sub> "	4
4	2252501	SUPPORT JACKET BRACKET	1
5	1330001	NUT 5/16-18 WISLOCK	8
6	HW07001	STUD 5/16"-18 X 1 <sup>1</sup> / <sub>8</sub> "	3
7	240009323	DRAIN LONG	1
8	1060003	PIPE FIT BUSHING 1 <sup>1</sup> / <sub>4</sub> " X <sup>3</sup> / <sub>4</sub> "	
9	HW06401	NUT - ACORN 1/2"-13 UNC YELLOW	2

## REPLACEMENT PARTS

### BECKETT AFG BURNERS AND PARTS

BECKETT AFG BURNERS AND PARTS	
PART #	DESCRIPTION
550003617	BECKETT BURNER,GMOW-3 (all)
550003618	BECKETT BURNER,GMOW-4 (all)
550003619	BECKETT BURNER,GMOW-5 (all)
550003620	BECKETT BURNER,GMOW-6 (all)
CD-001.01	CAD CELL
14619244	NOZZLE (BECKETT) 0.75-60°B GMOW-3085
14619024	NOZZLE (BECKETT) 0.85-60°B GMOW-3100 - GMOW4100
1320024	NOZZLE (BECKETT) 1.10-60°B GMOW-4125
14619294	NOZZLE (BECKETT) 1.25-60°B GMOW-4145
240009766	NOZZLE (BECKETT) 1.35-70°B GMOW-5160
1320001	NOZZLE (BECKETT) 1.50-70°B GMOW-5185
14619059	NOZZLE (BECKETT) 1.65-70°B GMOW-6185
14619019	NOZZLE (BECKETT) 1.75-70°B GMOW-6210
240008816	CONTROL 7505B1500 (FOR BOILERS WITH BECKETT BURNERS ONLY)
29688	FUEL PUMP, 1 STAGE, 140 PSI, AFG, 2184404U
1250002	BURNER GASKET
1050008	MOTOR
1050007	TRANSFORMER
1050005	F12 BURNER HEAD
FR-001.06	F16 BURNER HEAD

### RIELLO BURNERS AND PARTS

RIELLO BURNERS AND PARTS	
PART #	DESCRIPTION
550003621	RIELLO F5 BURNER,GMOW-3/4 (all)
550003622	RIELLO F10 BURNER,GMOW-5 (all)
550003623	RIELLO F10 BURNER,GMOW-6 (all)
240010186	NOZZLE (RIELLO) 0.70-80°W GMOW- 3085
NZ00802	NOZZLE (RIELLO) 0.85-80°W GMOW- 3100/4100
14619330	NOZZLE (RIELLO) 1.00-80°W GMOW- 4125
14619333	NOZZLE (RIELLO) 1.20-60°W GMOW- 4145
14619338	NOZZLE (RIELLO) 1.35-60°W GMOW- 5160
14619295	NOZZLE (RIELLO) 1.50-60°B GMOW-5185
240012615	NOZZLE (RIELLO) 1.65-45°B GMOW-6185
240010187	NOZZLE (RIELLO) 1.75-45°B GMOW-6210
30A064701	BRN PUMP DRIVE KEY RIELLO
30A064801	BRN PRIMARY CTRL-530SE RIELLO
30A064901	BRN COIL RIELLO
30A065101	BRN MOTOR RIELLO
30A065201	BRN CAPACITOR 12.5µF RIELLO
30A065301	BRN ELECTRODE PORCELAIN RIELLO
30A065401	BRN PUMP RIELLO
30A065601	BRN O-RING PUMP PRESS RIELLO
30A065701	BRN PHOTO CELL RIELLO

### CARLIN EZ-1/2 REPLACEMENT BURNERS

BOILER MODEL	PART NUMBER
3085	550003632
3100	
4100	
4125	
4145	550003633
5160	
5185	
6185	
6210	



2201 Dwyer Avenue, Utica, NY 13501

Tel. 800 253 7900

[www.ecrinternational.com](http://www.ecrinternational.com)

All specifications subject to change without notice.

©2020 ECR International, Inc.