



GMPVB SERIES 3

Gas-Fired Hot Water Induced Draft Boilers

Models

GMPVB-42
GMPVB-75
GMPVB-112
GMPVB-150
GMPVB-187

REPAIR PARTS & OPTIONAL KITS

Ordering Instructions

Order Parts through your nearest supplier.

When ordering parts, obtain Model Number and Serial from data plate on your boiler.

Include following information when ordering.

Part Number _____

Part Description _____

Boiler Model Number _____

Boiler Serial Number _____

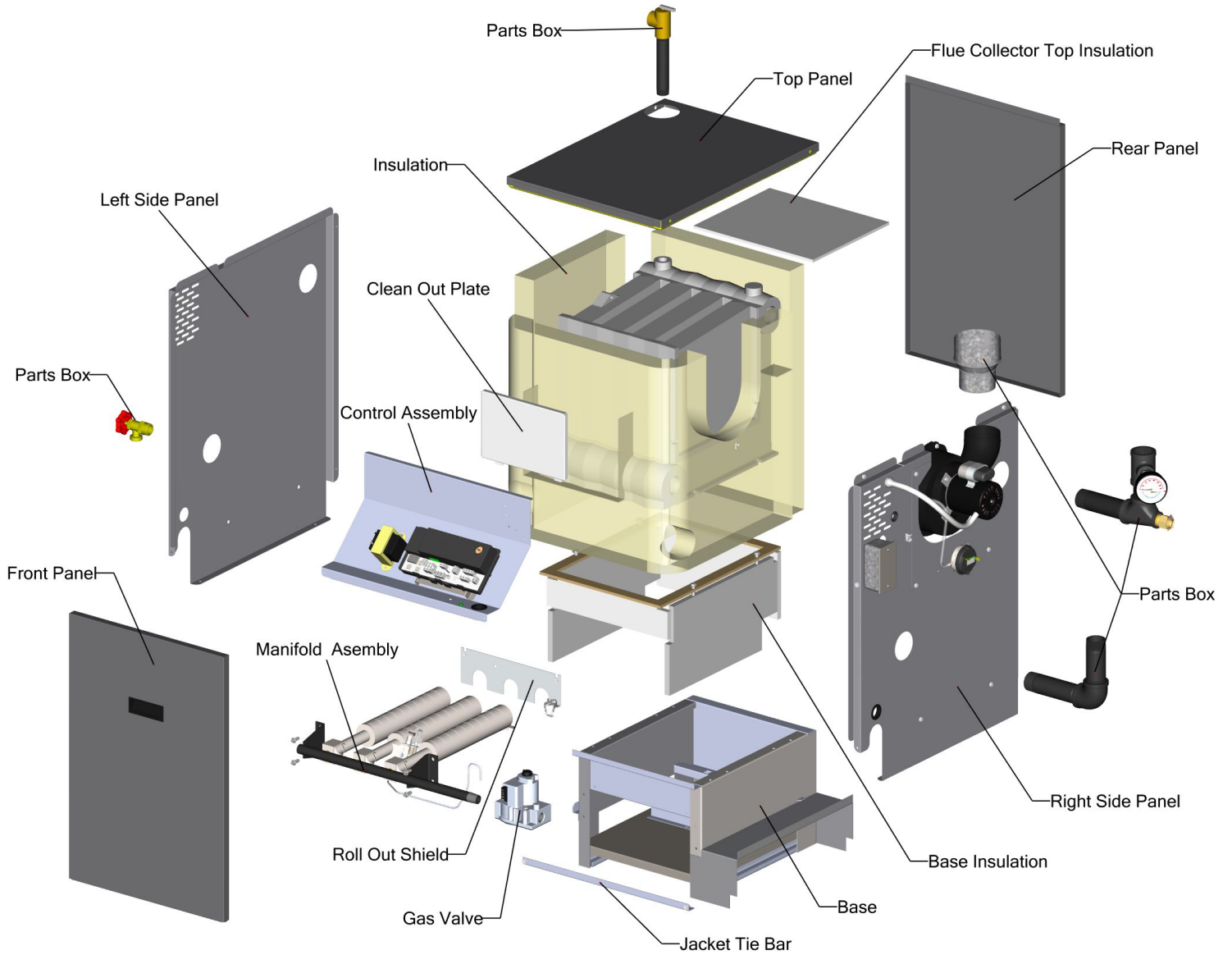


Manufactured by:
ECR International Inc.
2201 Dwyer Avenue, Utica, NY 13501
Tel. 800 325 5479
www.ecrinternational.com
PN 240013106 REV. A [08/15/2020]

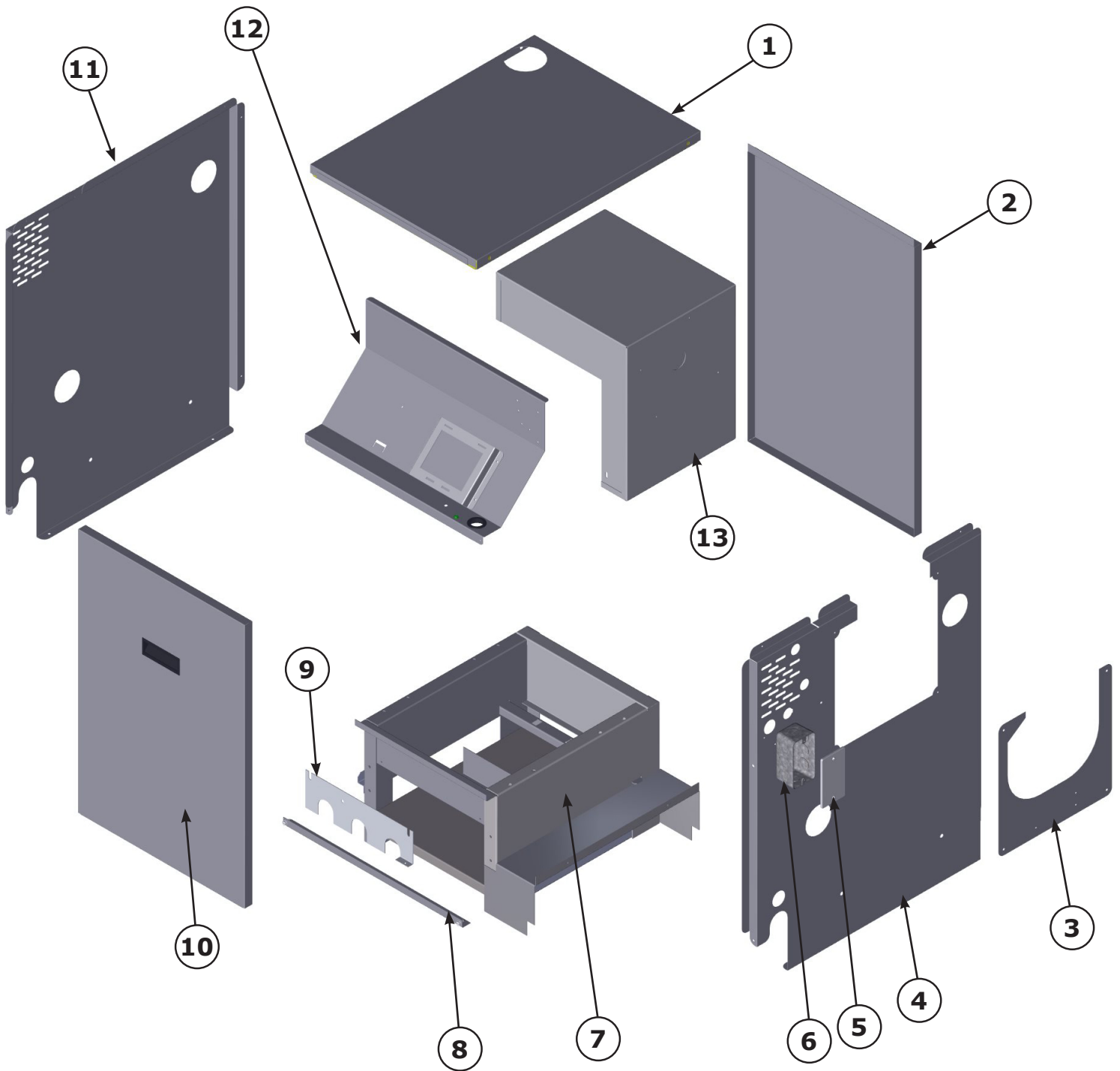
TABLE OF CONTENTS

Table of Contents	Page(s)
Jacket, Base & Sheet Metal	4 & 5
Control Assembly	6
Piping Repair Parts	7
Natural Gas Burner & Manifold	8 & 9
Propane Gas Burner & Manifold	
Heat Exchanger Block & Insulation	10
Accessories	11

BOILER EXPLODED VIEW



JACKET, BASE, & SHEET METAL



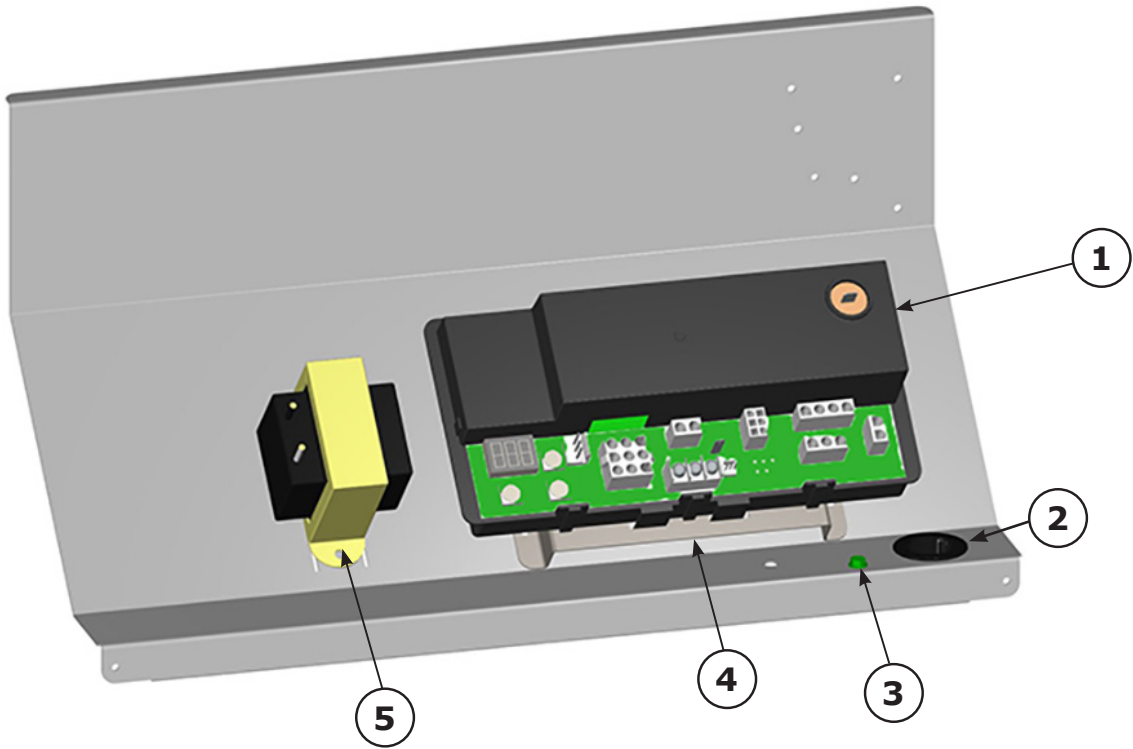
JACKET, BASE, & SHEET METAL

ITEM	PART NO.	DESCRIPTION	QTY.
1	550003977	Jacket, Top Panel (2 Sec.)	1
	550003978	Jacket, Top Panel (3 Sec.)	
	550003979	Jacket, Top Panel (4 Sec.)	
	550003980	Jacket, Top Panel (5 Sec.)	
	550003981	Jacket, Top Panel (6 Sec.)	
2	630001022AD	Jacket, Back Panel (2 Sec.)	1
	630001023AD	Jacket, Back Panel (3 Sec.)	
	630001024AD	Jacket, Back Panel (4 Sec.)	
	630001025AD	Jacket, Back Panel (5 Sec.)	
	630001026AD	Jacket, Back Panel (6 Sec.)	
3	630001170AD	Blower Cover Plate	1
4	550004029	Jacket, Right Side Panel	1
5	212000017	Junction Box, 2" x 4"	1
6	212000018	Junction Box Cover, 2" x 4"	1
7	42500733	Boiler Base (2 Sec.)	1
	42500734	Boiler Base (3 Sec.)	
	42500735	Boiler Base (4 Sec.)	
	42500736	Boiler Base (5 Sec.)	
	42500737	Boiler Base (6 Sec.)	
8	42500653	Jacket Tie Bar (2 Sec.)	1
	42500654	Jacket Tie Bar (3 Sec.)	
	42500655	Jacket Tie Bar (4 Sec.)	
	42500656	Jacket Tie Bar (5 Sec.)	
	42500657	Jacket Tie Bar (6 Sec.)	
9	42500932	Roll out Shield (2 Sec.)	1
	42500933	Roll out Shield (3 Sec.)	
	42500934	Roll out Shield (4 Sec.)	
	42500935	Roll out Shield (5 Sec.)	
	42500936	Roll out Shield (6 Sec.)	

ITEM	PART NO.	DESCRIPTION	QTY.
10	550004017	Service Door (2 Sec.)	1
	550004018	Service Door (3 Sec.)	
	550004019	Service Door (4 Sec.)	
	550004020	Service Door (5 Sec.)	
	550004021	Service Door (6 Sec.)	
11	550004033	Jacket, Left Side Panel	1
12	109008500-1	Control Panel (2 Sec.)	1
	109008501-1	Control Panel (3 Sec.)	
	109008502-1	Control Panel (4 Sec.)	
	109008503-1	Control Panel (5 Sec.)	
	109008504-1	Control Panel (6 Sec.)	
13	730003002	Flue Collector (2 Sec.)	1
	730003003	Flue Collector (3 Sec.)	
	730003004	Flue Collector (4 Sec.)	
	3002619	Flue Collector (5 Sec.)	
	3002620	Flue Collector (6 Sec.)	
‡	550004061	Jacket, Complete (2 Sec.) Includes Items 1, 2, 3, 4, 8, 10, & 11	1
	550004062	Jacket, Complete (3 Sec.) Includes Items 1, 2, 3, 4, 8, 10, & 11	
	550004063	Jacket, Complete (4 Sec.) Includes Items 1, 2, 3, 4, 8, 10, & 11	
	550004064	Jacket, Complete (5 Sec.) Includes Items 1, 2, 3, 4, 8, 10, & 11	
	550004065	Jacket, Complete (6 Sec.) Includes Items 1, 2, 3, 4, 8, 10, & 11	
‡	14695074	#10 x 1/2 Sheet Metal Screw	22

‡ Not illustrated

CONTROL ASSEMBLY

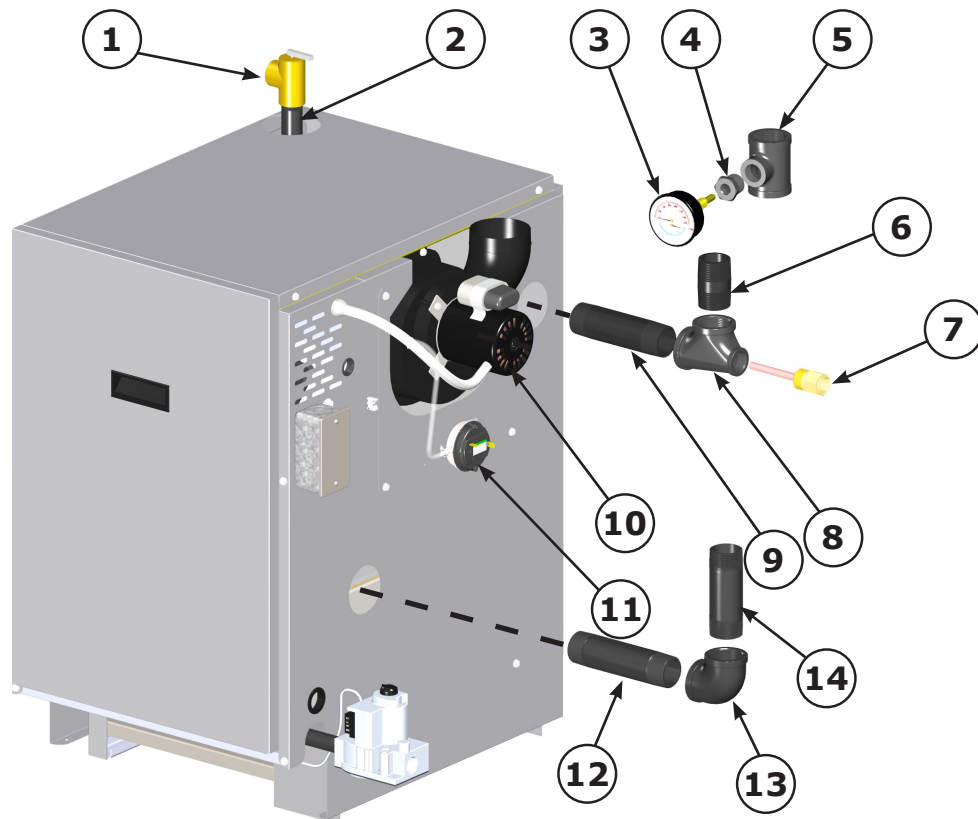


ITEM	PART NO.	DESCRIPTION	QTY.
1	240009241	Control	1
2	206000025	Grommet	1
3	HW07701	Ground Screw #8	1
4	109008496	Control Standoff	1
5	240008782	Transformer	1
‡	240009194	Line Voltage Harness	1
‡	240009342	Low Voltage Wire Harness	1
‡	240008767	Circulator Harness	1
‡ Not illustrated			

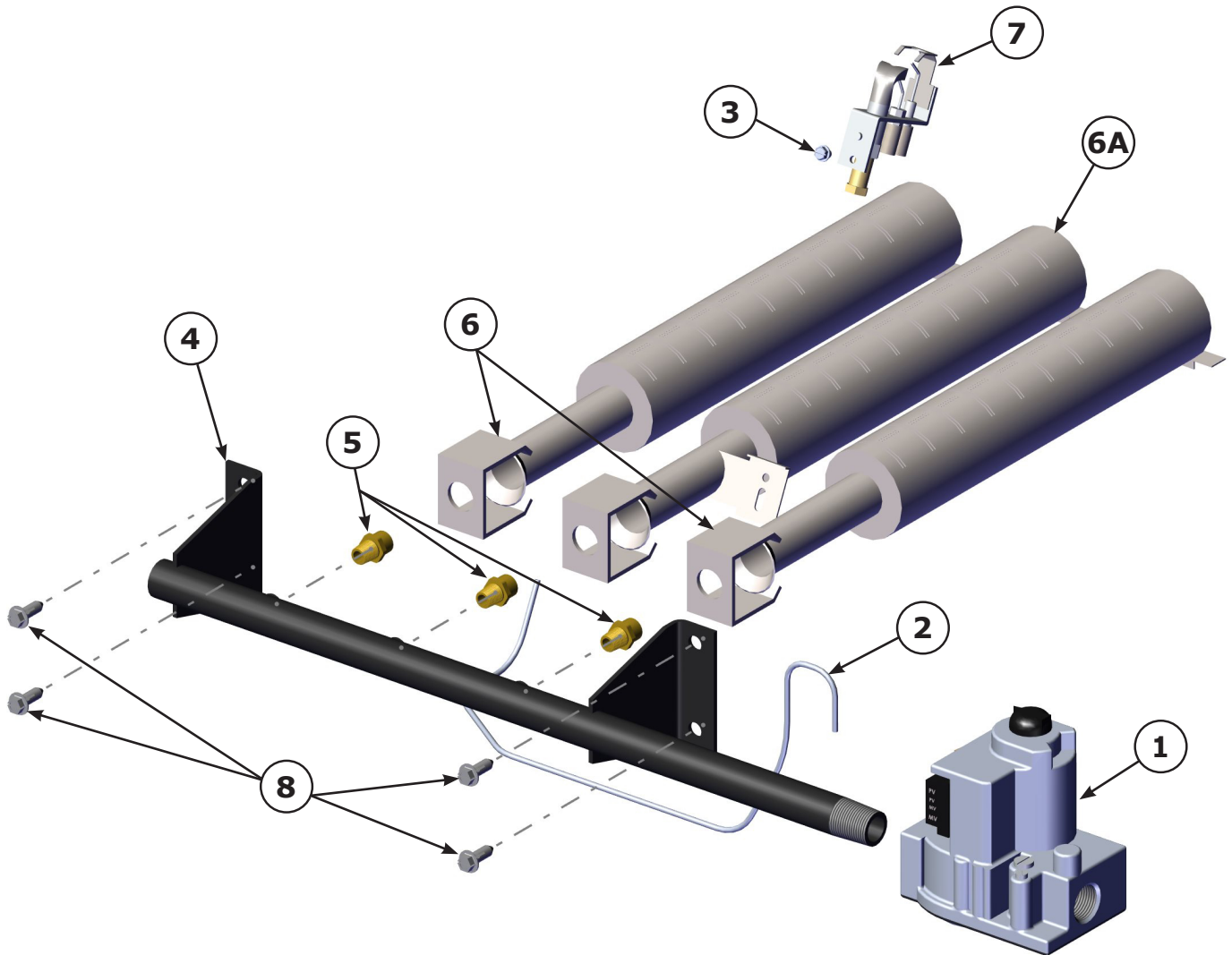
PIPING REPAIR PARTS

ITEM	PART NO.	DESCRIPTION
1	14622011	¾" ASME Relief Valve
2	1310010	Nipple ¾" x 5½"
3	1260006SP	Temperature Pressure Gauge (2" Stem)
4	1060002	Bushing ¾" x ¼"
5	PF05901	Tee 1¼" x ¾" x 1¼"
6	14607044	Nipple 1¼"x 2½ "
7	1635001	Well
8	1510001	Tee 1¼" x ¾" x 1¼"
9	14607019	Nipple 1¼"x 5½"
10	240009011	Induced Draft Blower and Gasket
11	240013045	Pressure Switch - 2,3,4,5 Section
	240013044	Pressure Switch - 6 Section
12	14607017	Nipple 1¼" x 6"
13	1190002	Elbow 1¼"
14	1310002	Nipple 1¼" x 4½"
‡	240007732	Sensor
‡	240008013	Sensor Clip
‡	1552014	Silicone Tube 12" Long (Blower to Pressure Switch)
‡	14629002	Roll out and Blocked Vent Switch
‡	14628012	3" x 4" Increaser Fitting - Galvanized
‡	240009323	Drain Valve

‡ Not illustrated



BURNER & MANIFOLD



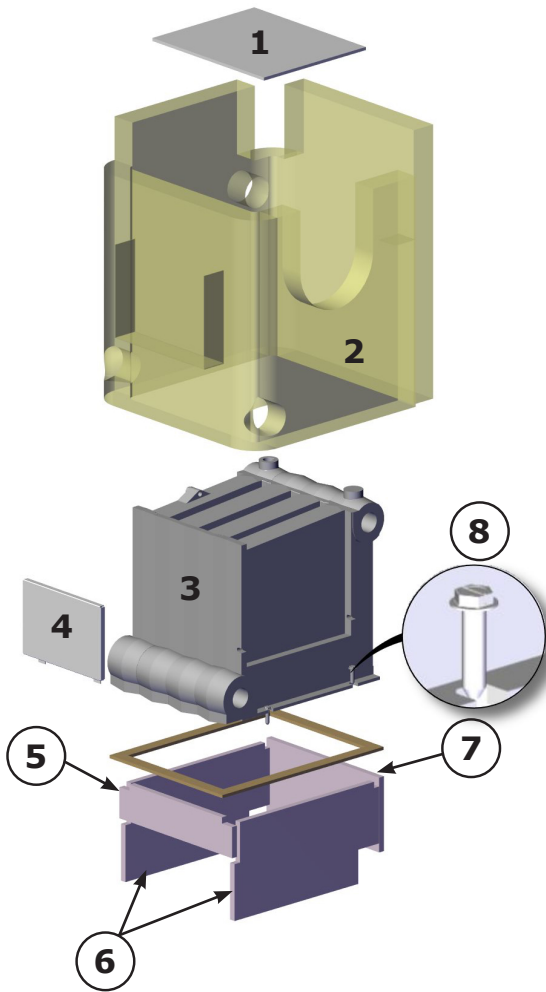
NOTE: Actual gas valve may look different than gas valve shown.

BURNER & MANIFOLD

ITEM	PART NO.	DESCRIPTION	QTY.
1	14662052	Gas Valve, Natural Gas (2-5 Sec.)	1
	14662058	Gas Valve, Natural Gas (6 Sec.)	
	550002740	Gas Valve, Propane Gas (2-5 Sec.)	
	550002259	Gas Valve, Propane Gas (6 Sec.)	
2	43300201	Pilot Tube With Fitting (2-5 Sec.)	1
	43300200	Pilot Tube With Fitting (6 Sec.)	
3	14695301	10-32 x 3/16" Slotted Hex Head Screws	1
4	14616042	Gas Manifold (2 Sec.)	1
	14616043	Gas Manifold (3 Sec.)	
	14616044	Gas Manifold (4 Sec.)	
	14616045	Gas Manifold (5 Sec.)	
	14616024	Gas Manifold (6 Sec.)	
5	240012903	Orifice - Natural Gas (2 Sec.)	1
	240012905	Orifice - Natural Gas (3 Sec.)	2
		Orifice - Natural Gas (4 Sec.)	3
		Orifice - Natural Gas (5 Sec.)	4
	240013128	Orifice - Natural Gas (6 Sec.)	5
5	240012917	Orifice - Propane Gas (2 Sec.)	1
	240012918	Orifice - Propane Gas (3 Sec.)	2
		Orifice - Propane Gas (4 Sec.)	3
		Orifice - Propane Gas (5 Sec.)	4
	240013144	Orifice - Propane Gas (6 Sec.)	5
6	14615532	Main Burner Less Pilot Bracket (3 Sec.)	1
		Main Burner Less Pilot Bracket (4 Sec.)	2
		Main Burner Less Pilot Bracket (5 Sec.)	3
		Main Burner Less Pilot Bracket (6 Sec.)	4
6A	14615531	Main Burner with Pilot Bracket (3-6 Sec.)	1
7	240009031	Pilot with Orifice, Natural Gas	1
8	14695070	14 x 3/4 Slotted Hex Head Screw	4
‡	PB00208	Pilot Orifice, Propane Gas	1

‡ Not illustrated pilot sold only in natural gas, must field convert.

HEAT EXCHANGER BLOCK AND INSULATION



ITEM	PART NO.	DESCRIPTION	QTY.
1	14614021	Flue Collector Top Insulation (2 Sec.)	1
	14614022	Flue Collector Top Insulation (3 Sec.)	1
	14614023	Flue Collector Top Insulation (4 Sec.)	1
	14614024	Flue Collector Top Insulation (5 Sec.)	1
	14614025	Flue Collector Top Insulation (6 Sec.)	1
2	240012937	Heat Exchanger Block Insulation Wrap (2 Sec.)	1
	240012938	Heat Exchanger Block Insulation Wrap (3 Sec.)	1
	240012939	Heat Exchanger Block Insulation Wrap (4 Sec.)	1
	240012940 & 240012942	Heat Exchanger Block Insulation Wrap (5 Sec.)	1
	240012941 & 240012942	Heat Exchanger Block Insulation Wrap (6 Sec.)	1
3	41000212	Tested Block 2 Section	1
	41000312	Tested Block 3 Section	1
	41000412	Tested Block 4 Section	1
	41000512	Tested Block 5 Section	1
	41000612	Tested Block 6 Section	1
4	42501539	Clean out Plate(s) & Insulation (2 Sec.)	1
	42501540	Clean out Plate(s) & Insulation (3 Sec.)	1
	42501541	Clean out Plate(s) & Insulation (4 Sec.)	1
	42501542	Clean out Plate(s) & Insulation (5 Sec.)	1
	42501540 & 42501541	Clean out Plate(s) & Insulation (6 Sec.)	1
5	14614112	Front Insulation Board (2 Sec.)	1
	14614113	Front Insulation Board (3 Sec.)	1
	14614114	Front Insulation Board (4 Sec.)	1
	14614115	Front Insulation Board (5 Sec.)	1
	14614116	Front Insulation Board (6 Sec.)	1
6	14614020	Side Insulation Board (2 Sec.)	2
		Side Insulation Board (3 Sec.)	2
		Side Insulation Board (4 Sec.)	2
		Side Insulation Board (5 Sec.)	2
		Side Insulation Board (6 Sec.)	2
7	14614122	Rear Insulation Board (2 Sec.)	1
	14614123	Rear Insulation Board (3 Sec.)	1
	14614124	Rear Insulation Board (4 Sec.)	1
	14614125	Rear Insulation Board (5 Sec.)	1
	14614126	Rear Insulation Board (6 Sec.)	1
8	14695039	SCR, Block to Base 5/16"x1-1/4"	4

‡ Not illustrated

When evaluating HTEX block replacement, please review insulation parts if needed.

GAS CONVERSION KITS

NATURAL GAS TO PROPANE (LP)	
PART NO.	DESCRIPTION
550002722	Kit Conversion Natural to LP (all sizes)

PROPANE (LP) TO NATURAL GAS	
PART NO.	DESCRIPTION
43300660	Kit Conversion LP to Natural (all sizes)

LOW WATER CUT OFF KIT

LOW WATER CUT OFF KIT	
PART NO.	DESCRIPTION
550002998	LWCO Kit



2201 Dwyer Avenue, Utica, NY 13501
Tel. 800 325 5479
www.ecrinternational.com

All specifications subject to change without notice.
©2020 ECR International, Inc.