



GMGW-C GAS-FIRED HOT WATER BOILERS

**Models
GMGW-8C
GMGW-9C**

PARTS, KITS & OPTIONAL ACCESORIES

Ordering Instructions

Order Parts through your nearest supplier.

When ordering parts, obtain Model Number and Serial from data plate on your boiler.

Include following information when ordering.

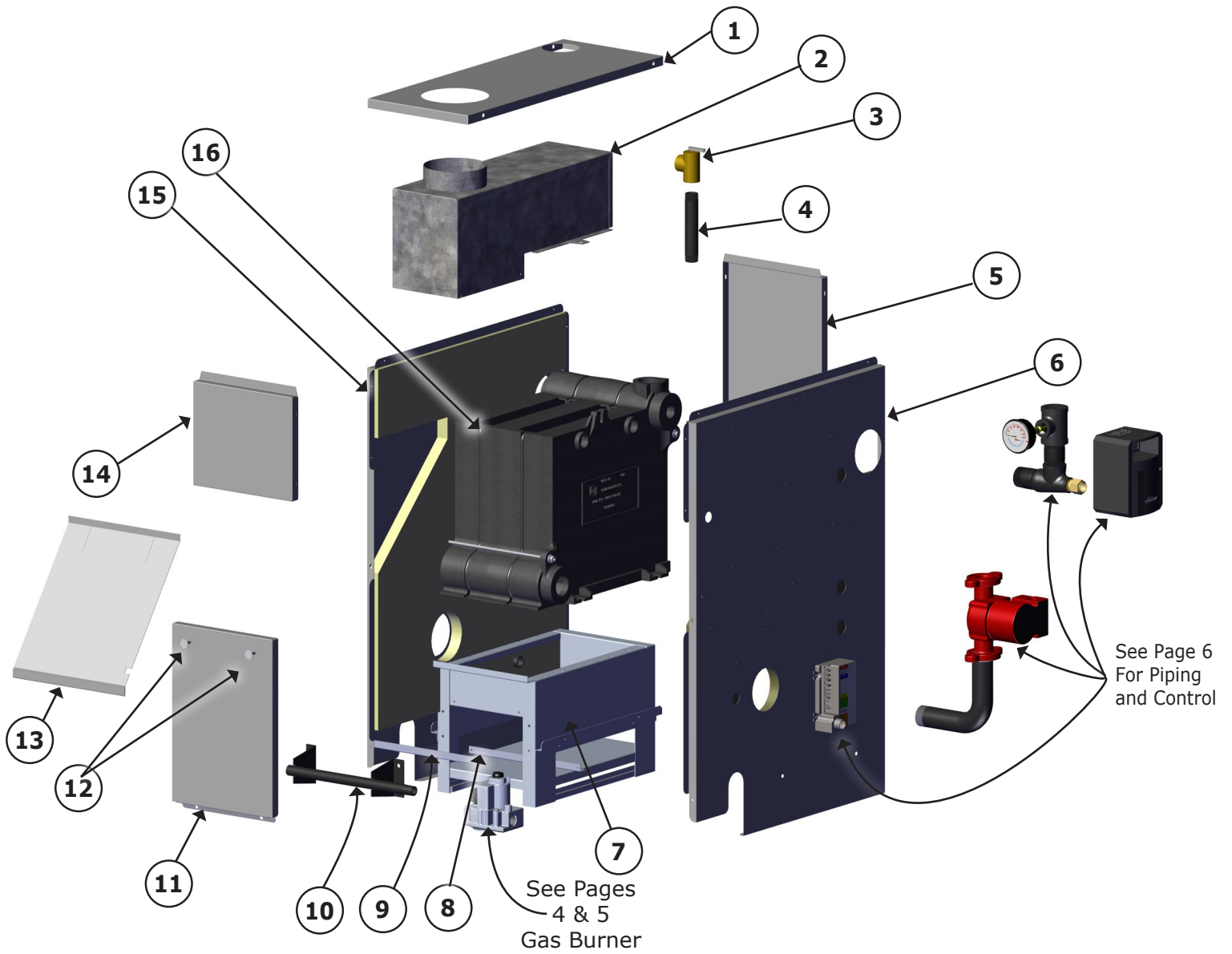
Part Number _____

Part Description _____

Boiler Model Number _____

Boiler Serial Number _____

REPAIR PARTS



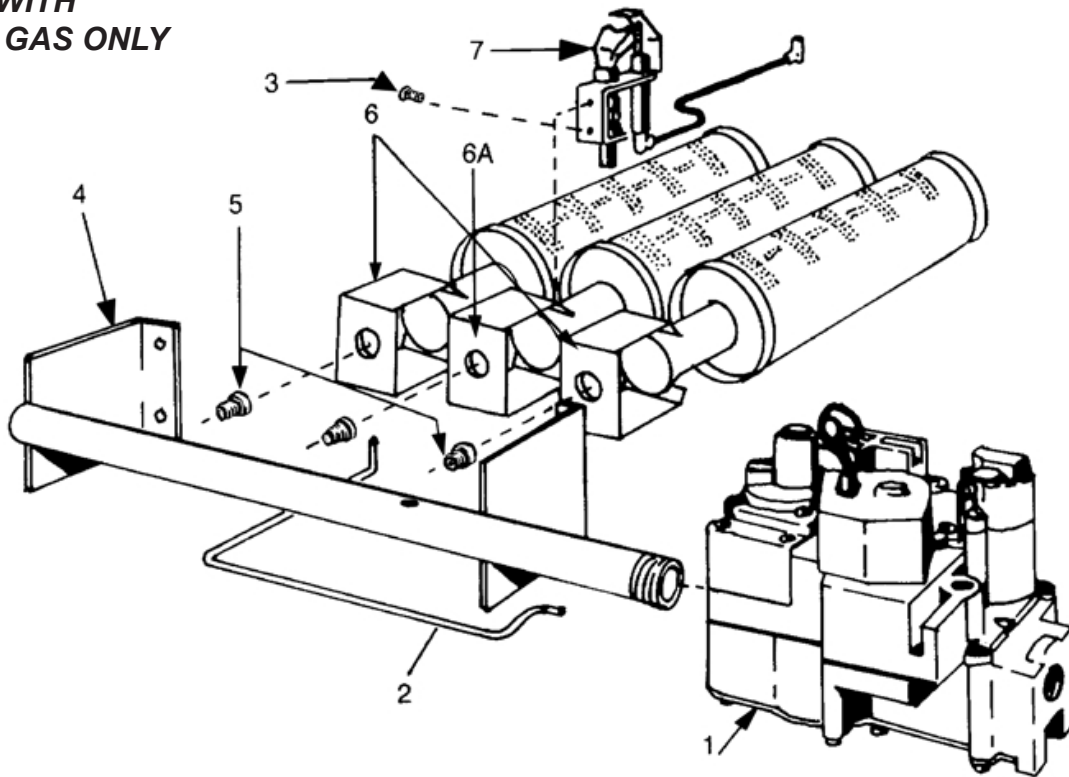
REPAIR PARTS

JACKET ASSEMBLY

| KEY NO. | Part Number | | DESCRIPTION |
|-------------------|-----------------|------------|-------------------------------|
| | 8 SECTION | 9 SECTION | |
| ‡ | 42500878AD | | Jacket Complete |
| 1 | 42500848AD | 42500849AD | Jacket, Top Panel |
| 2 | 42500678 | 42500679 | Draft Diverter |
| 3 | 14622011 | | 3/4" ASME Safety Relief Valve |
| 4 | 14607002 | | ¾" x 6½" Nipple |
| 5 | 42500838AD | 42500839AD | Jacket, Back Panel |
| 6 | 109008574AD | | Jacket, Right Side Panel |
| 7a | 42500668 | 42500669 | Base |
| 7b | 14614130 | | Base Insulation Sides (2) |
| | 14614118 | 14614119 | Base Insulation Front |
| | 14614128 | 14614129 | Base Insulation Rear |
| 8 | 42500648 | 42500649 | Base Baffle |
| 9 | 42500658 | 42500659 | Jacket Tie Bar |
| 10 | See Pages 4 & 5 | | Gas Manifold |
| 11 | 42500828AD | 42500829AD | Jacket, Service Door |
| 12 | 13702153 | | Knob, Service Door (Pair) |
| 13 | 42500818AD | 42500819AD | Jacket, Diverter |
| 14 | 42500808AD | 42500809AD | Jacket, Front Panel Upper |
| 15 | 109008736AD | | Jacket, Left Side Panel |
| 16 | 41000831 | 41000931 | Block Assembly |
| ‡ | 14614018 | | Cerafelt Gasket |
| ‡ | 240006939 | | Vent Damper |
| ‡ | 43300668 | 43300669 | Base Assembly (7a, 7b, 8) |
| ‡ Not illustrated | | | |

REPAIR PARTS

**FOR USE WITH
NATURAL GAS ONLY**

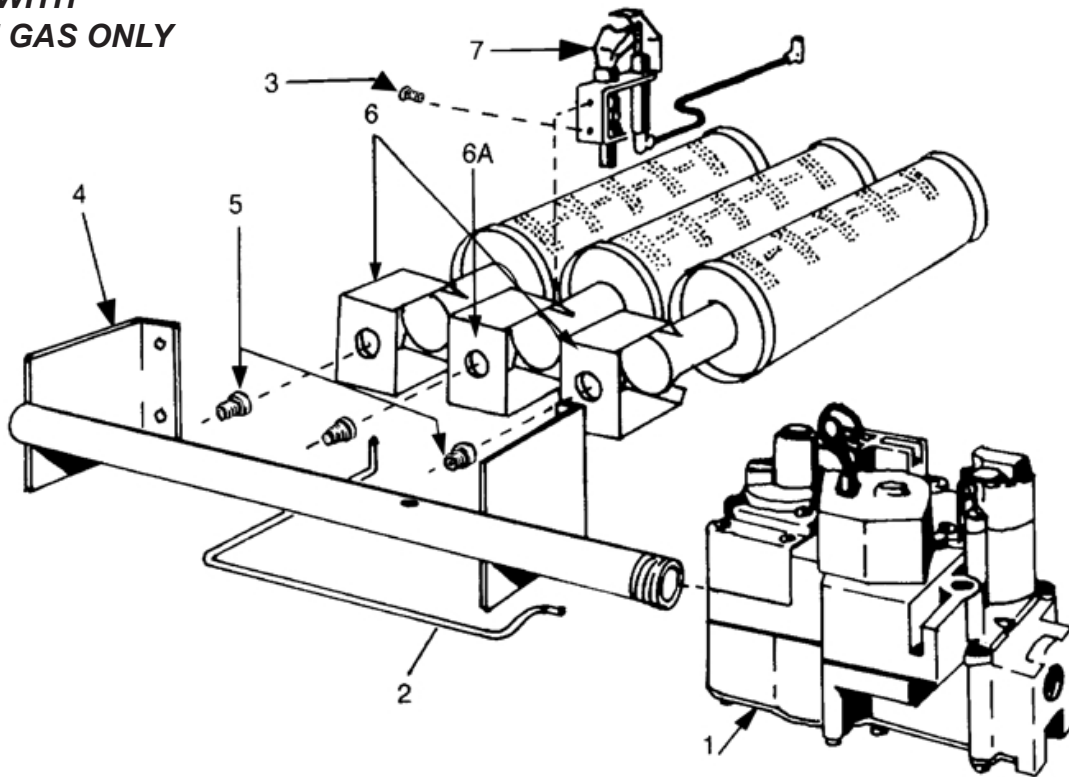


**NOTE: Actual gas valve may look
different than gas valve shown**

| NATURAL GAS BURNER & MANIFOLD PARTS | | | |
|--|-------------|-----------|--|
| KEY NO. | Part Number | | DESCRIPTION |
| | 8 SECTION | 9 SECTION | |
| 1 | 14662058 | | Gas Valve, Natural Gas |
| 2 | 14615006 | | Pilot Tube |
| 3 | 14695301 | | 10-32 x 3/16" Slotted Hex Head Screws (2 REQD) |
| 4 | 14616015 | 14616016 | Gas Manifold |
| 5 | 240013128 | | Main Burner Orifice* |
| 6 | 14615532 | | Main Burner Regular** |
| 6A | 14615531 | | Main Burner, Pilot Mount |
| 7 | 240011102 | | Pilot Burner |
| ‡ | 42500938 | 42500939 | Rollout Shield |
| *Requires 1 less than the number of sections. | | | |
| **Requires 2 less than the number of sections. | | | |
| ‡ Not illustrated | | | |

REPAIR PARTS

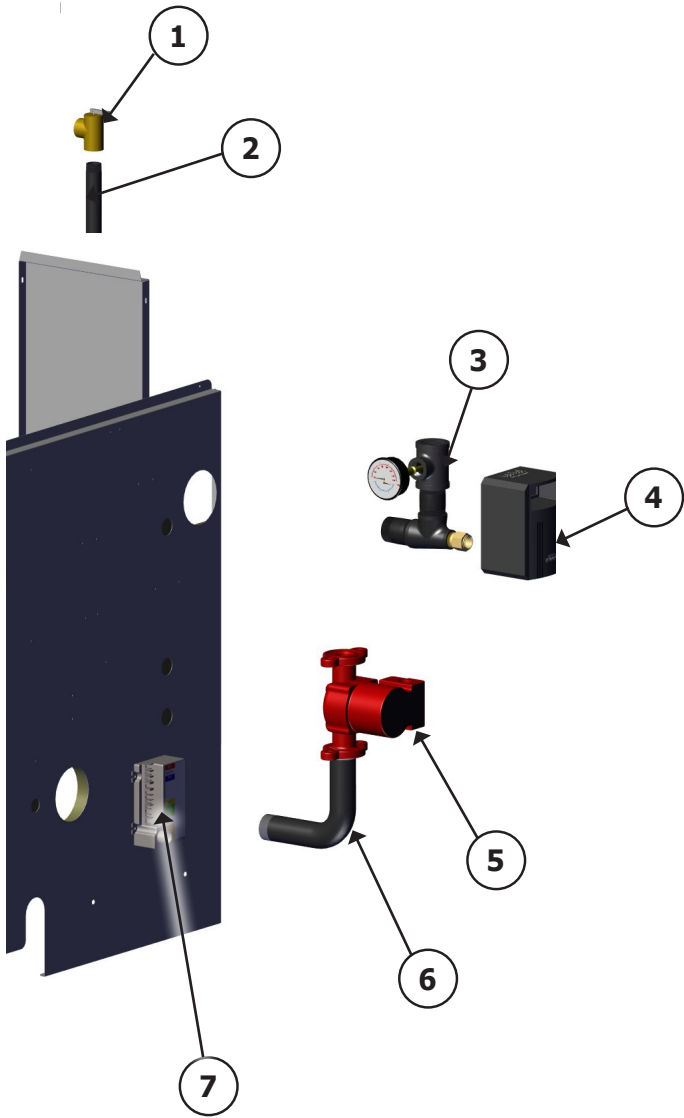
**FOR USE WITH
PROPANE GAS ONLY**



**NOTE: Actual gas valve may look
different than gas valve shown**

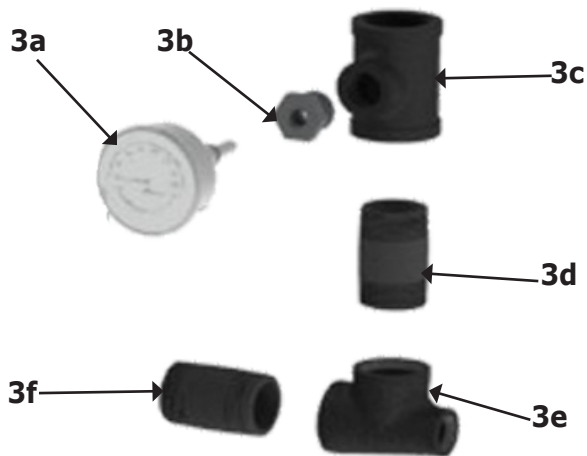
| PROPANE GAS BURNER & MANIFOLD PARTS | | | |
|---|-------------|-----------|--|
| KEY NO. | Part Number | | DESCRIPTION |
| | 8 SECTION | 9 SECTION | |
| 1 | 550002740 | | Gas Valve, LP Gas |
| 2 | 14615006 | | Pilot Tube |
| 3 | 14695301 | | 10-32 x 3/16" Slotted Hex Head Screws (2 REQD) |
| 4 | 14616015 | 14616016 | Gas Manifold |
| 5 | 240013145 | | Main Burner Orifice* |
| 6 | 14615532 | | Main Burner Regular** |
| 6A | 14615531 | | Main Burner, Pilot Mount |
| 7 | 240011102 | | Pilot Burner (includes)*** |
| | PB00208 | | |
| | 14662087 | | |
| ‡ | 42500938 | 42500939 | Rollout Shield |
| *Requires 1 less than the number of sections. | | | |
| **Requires 2 less than the number of sections. | | | |
| *** Pilot shipped natural gas only orifice and fitting required for LP conversion | | | |
| ‡ Not illustrated | | | |

BOILER CONTROLS AND PIPING



| Key No. | Part No. | DESCRIPTION |
|-------------------|-----------|---|
| 1 | 14622011 | ¾" ASME Relief Valve |
| 2 | 14607002 | ¾" x 6½" Nipple |
| 3 | 1260006SP | 3a Temperature Pressure Gauge - 2" shank |
| | 1060002 | 3b Bushing, ¾" x ¼", Black Iron |
| | PF05901 | 3c Tee, 1¼" x 1¼" x ¾", Black Iron |
| | 14607044 | 3d Adapter, 1¼" x 2½", Black Iron |
| | 1510001 | 3e 1¼" x ¾" x 1¼" Tee |
| | 14607044 | 3f 1¼" x 2½" Nipple |
| 4 | 240009113 | Hydrolevel Control |
| ‡ | 240009989 | Replacement Sensor Only For Hydrolevel 3250 (12") |
| 5 | CI-006.01 | Grundfos Pump UP15-42F Circulator |
| | CI-001.03 | Taco Pump 007 |
| 6 | 14607003 | 1¼" Bent Return Adapter |
| 7 | 14662070 | Intermittent Pilot Control |
| ‡ | 240007709 | Sensor Well |
| ‡ | 1500009 | Blocked Vent Safety Switch (36TX16-6282) 280°F |
| ‡ | 14629002 | Rollout Switch |
| ‡ | 240006939 | 7" Vent Damper |
| ‡ | 14693008 | 2½" x 1¼" Bushing (2 REQD) |
| ‡ | 14693024 | 2½" Plug |
| ‡ | 14693083 | 2½" x ¾" Bushing |
| ‡ | 1395003 | ½" Plug (3 REQD) |
| ‡ | 240006837 | 400°F Black Silicone Rubber Adhesive Sealant (10.3 oz. Cartridge) |
| ‡ Not illustrated | | |

Temperature Pressure Gauge Assembly



REPAIR PARTS

MISCELLANEOUS PARTS

| Part No. | DESCRIPTION | QTY. |
|-----------|--|------|
| 37519501 | Circulator Harness | 1 |
| 240005480 | Damper Harness, 61" | 1 |
| 240010924 | Wire Harness, Rollout/Blocked Vent Safety Switch | 2 |
| 43300942 | Wire Harness, Gas Valve | 1 |
| EF-016.01 | Strain Relief Connector | 1 |
| 240010487 | Wire Clip | 1 |
| 206000023 | Bushing, 7/8 to 3/4 | 1 |
| 14634032 | Strain Relief Bushing | 2 |
| 14695074 | Screw, 10 x 12 | 2 |



2201 Dwyer Avenue, Utica, NY 13501
Tel. 800 325 5479
www.ecrinternational.com

All specifications subject to change without notice.
©2021 ECR International, Inc.